

Series - C100, W100, WC150

PUSHBUTTON SWITCHES Uniform Panel Appearance Switches

FEATURES	SPECIFICATIONS	CURRENT RATINGS						
		28VDC			125VAC 60/400 HZ			
		Resistive Load	Inductive Load	Lamp	Resistive Load	Inductive Load ^①	Lamp	
<ul style="list-style-type: none"> Low level switching capability Moisture-proof Momentary action (except #7 button) Push-Pull action (#7 button only) Up to 1 million mechanical cycles EMI/RFI shielding available Tease resistant, snap action Six circuit arrangements available Various adapter, button styles and colors High contact pressure Compact size Corrosion resistant case and adapters 	<ul style="list-style-type: none"> MS27903 (WC150 series only) Operating temperature: -40°F to +158°F (-40°C to +70°C) Electrical life: 25,000 cycles at rated load Operating force: Approx. 2.5-5 lbs (Momentary) Approx. 1.5-2.5 lbs (Push-Pull) Total plunger travel: 0.085 in. (2.16mm) approx. W100 and WC150 exceeds seal level 2 per MIL-PRF-8805 C100 series unsealed 	Part Number	10 ^①	5	3	10 ^①	5	3
		C100 Series	10 ^②	5	3	10 ^②	5	3
		W100 Series	—	2	—	—	—	—
		WC1500 Series	10	5	—	—	—	—
		W403 P6 (R) ^④						

① 3 amps max. through center terminal of A800 and A11200
 ② 3 amps max. through center terminal of W104 and W105
 ③ p.f. = .75
 ④ EMI/RFI shielded

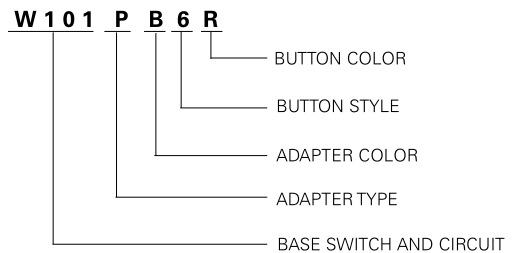
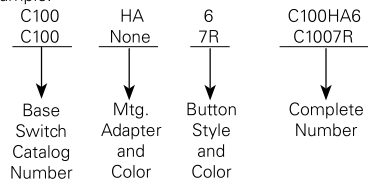
SELECTION TABLE

	Circuit	Base Switch - Catalog Number				Options - Suffix Number						
		Solder Lug Terminals				Mounting Adapters		Auxiliary Buttons				
		Non-Sealed		Sealed		Type	Color	Style	Color			
		Normal Force	Light Op. Force (2 +/- .5 lb.)	Normal Force	Light Op. Force (2 +/- 1 lb.)							
C100	SP-NO	C100	C111	-	-	Standard: N, P, PA, W, L (with #5 button only) Optional: D, E, HA, J, M, PL, U, Y	B=Black R=Red No Alpha=Clear	2, 6, or 7 on switch without adapter	No Alpha= Black R=Red W=White			
	SP-NC	C3100	C112	-	-							
	1 P.D.T-2 Ckt.	C200	C113	-	-							
	SP-NO 3 Term.	A800	C114	-	-							
	SP-NC 3 Term.	A11200	C115	-	-							
1 P.D.T. Dbl Brk	C4100	C116	-	-	2, 3, 4 or 7 on switches with adapter							
W100	SP-NO	-	-	W101	W111						2, 3, 4, 6 or 7	
	SP-NC	-	-	W102	W112							
	1 P.D.T-2 Ckt.	-	-	W103	W113							
	SP-NO 3 Term.	-	-	W104	W114							
	SP-NC 3 Term.	-	-	W105	W115							
	1 P.D.T. Dbl Brk	-	-	W106	W116							
WC150	2 P.D.T. 4 Ckt. May be Jumpered for 2 P.D.T.	-	-	WC150	-			2, 3, 4, 6 or 7				

WHEN ORDERING SPECIFY...

- **Catalog number of base switch** - followed by suffix numbers of options (when required) as selected from Selection Table.

Order Example:



STANDARD

0.00 = inches

[0,0] = mm

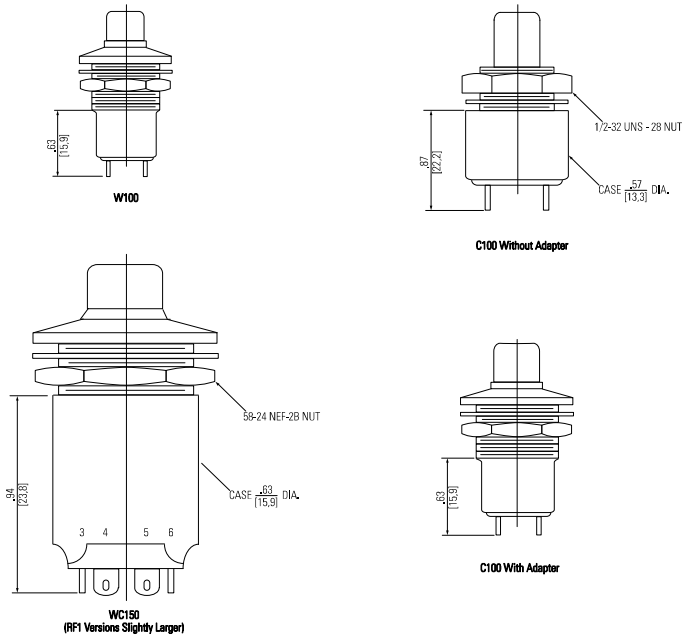
Dimensions for reference only.

PUSHBUTTON SWITCHES

Series - C100, W100, WC150

Uniform Panel Appearance Switches

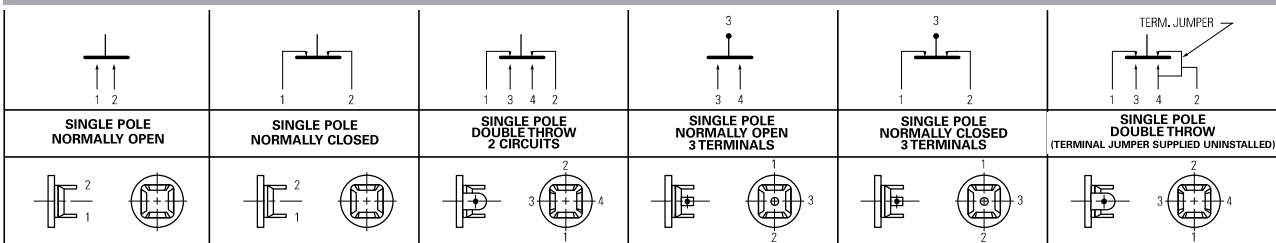
APPROXIMATE DIMENSIONS - PUSHBUTTON SWITCHES



APPROXIMATE DIMENSIONS - AUXILIARY BUTTONS

	Style Number 2		Style Number 3		Style Number 4		Style Number 6		Style Number 7	
	A	B	A	B	A	B	A	B	A	B
Series Number	mm.	in.	mm.	in.	mm.	in.	mm.	in.	mm.	in.
Series C100										
Without Adapter	7.9	.31	7.9	.31	-	-	7.9	.31	7.9	.31
With Adapter	9.5	.37	7.9	.31	9.5	.37	4.8	.19	7.9	.31
Series W100 & WC150										
With Adapter	9.5	.37	7.9	.31	9.5	.37	6.4	.25	9.5	.37
Without Adapter		.37		.34		.37		.38		.41

SCHEMATIC DIAGRAMS



STANDARD

0.00 = inches

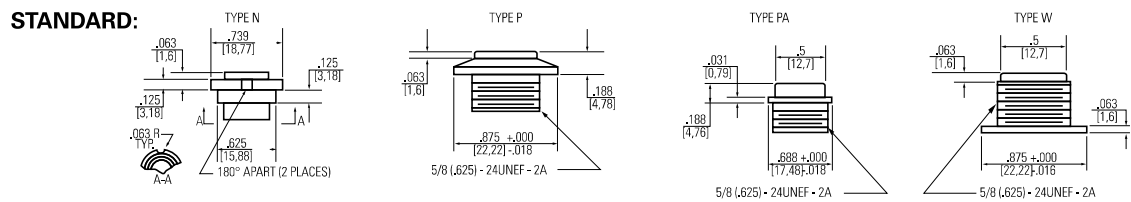
[0,0] = mm

Dimensions for reference only.

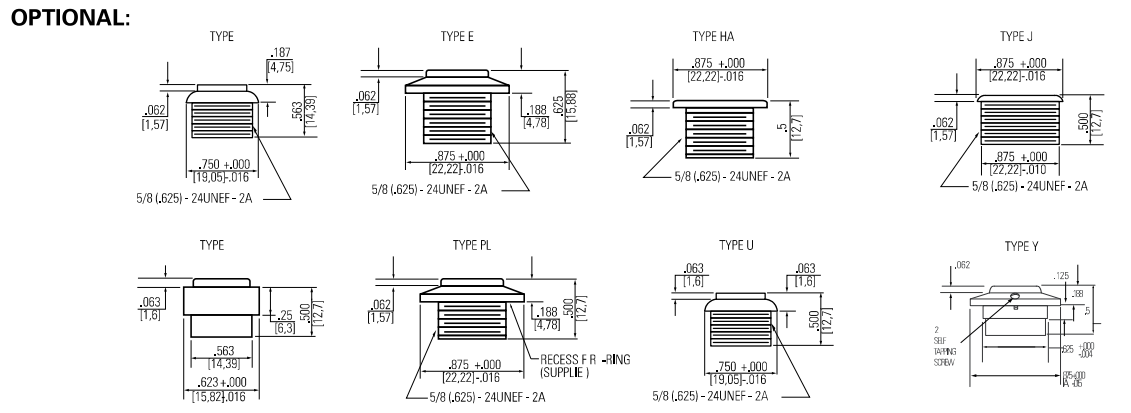
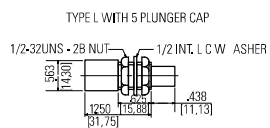
PUSHBUTTON SWITCHES Uniform Panel Appearance Switches

Series - C100, W100, WC150

APPROXIMATE DIMENSIONS - MOUNTING ADAPTERS



PLUNGER CAP COLORS:
 CHROME: NO LETTER
 RED: R
 BLACK: B
 TOTAL PLGR TRAVEL: .438 APPROX.
 OVERTRAVEL: .313 APPROX.



NOTE: INTERNAL THREADS 1/2 - 32 UNS-2B

EMI/RFI SHIELDED

W1501

SCHEMATIC

4 CIRCUIT

Graphic Illustration defines relative shielding efficiency of RFI shielded component/ components over unshielded device.

W403P6

SCHEMATIC

2 CIRCUIT

Graphic Illustration defines relative shielding efficiency of RFI shielded component/ components over unshielded device.

STANDARD
 0.00 = inches
 [0,0] = mm

Dimensions for reference only.

"Safran Electrical & Power Proprietary Information. Information contained in this document is Safran Electrical & Power Proprietary Information and is disclosed in confidence. It is the property of Safran Electrical & Power and shall not be used, disclosed to others, or reproduced without the express written agreement of Safran Electrical & Power. If consent is given for reproduction in whole or in part, this notice set forth on each page of this document shall appear in any such reproduction in whole or in part. Unauthorized export or re-export is prohibited."