

POSITIVE ACTION NON-TEASIBLE TOGGLE

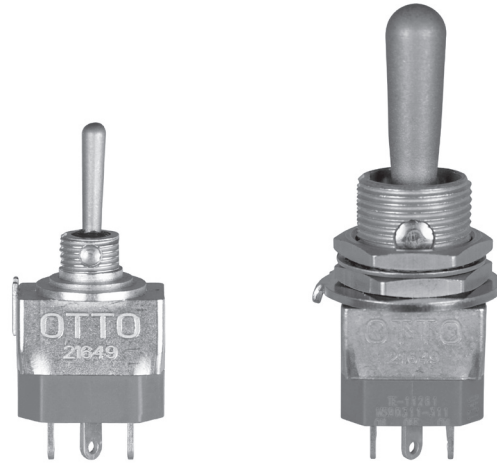
The TE series is a MIL qualified, snap-action, non-teasible, positive make and break, panel mount toggle switch.

The positive action mechanism assures that the switch will actuate even when actuated very slowly. A silicone seal protects the contact area from contaminants such as dust, moisture and sand. All metal components are corrosion resistant and designed to exceed all military requirements.

This environmentally sealed switch is available in single and double pole configurations with 15/32 or 1/4-40 bushings. The TE series is ideal in applications for dry circuits, low level and power switching applications.

Features:

- Positive action miniature toggle
- Wiping action contacts
- Momentary & maintained toggle action
- Panel mount
- Solder lug termination
- Single & double pole
- Sealed per MIL-DTL-8834
- MIL qualified MS90310-211/221/231/271/311
MS90311-211/221/231/271/311
MS24655-211/221/231/271/311
MS24656-
211/221/231/271/311/331/341/351
- RoHS compliant
- Black matte finish available. Contact factory.

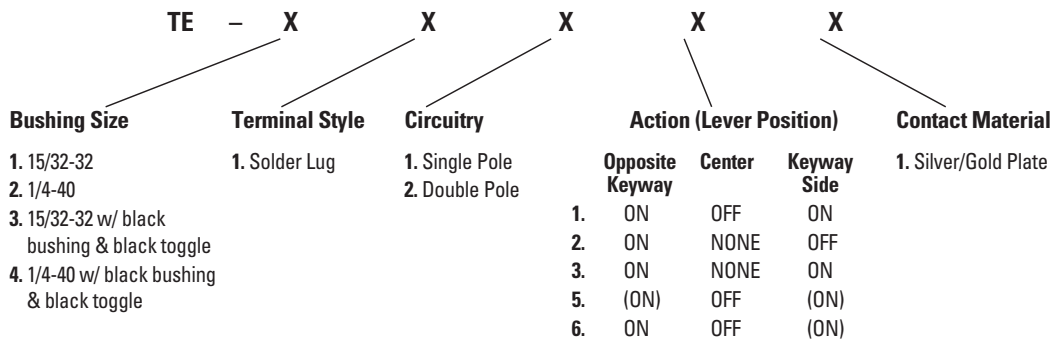


1/4-40 Bushing Style

15/32-32 Bushing Style

| Standard Characteristics/Ratings: | | | | |
|-----------------------------------|-------------------|--|---------------------------|---------------------------|
| ELECTRICAL RATINGS: | | | | |
| Load | Sea Level @ 28VDC | Sea Level @ 115VAC, 60Hz | Sea Level @ 115VAC, 400Hz | Sea Level Low Level @ 5mV |
| Resistive | 5A | 2A | 3A | 25mA |
| Inductive | 1A | 1A | 2A | 25mA |
| Electrical Life: | | 20,000 cycles | | |
| Mechanical Life: | | 40,000 cycles | | |
| Seal: | | Per MIL-DTL-8834 | | |
| Operating Temp Range: | | -55°C to +71°C | | |
| MATERIALS: | | | | |
| Handle: | | Stainless steel with lusterless finish | | |
| Bushing: | | Zinc alloy (15/32) or stainless steel | | |
| Cover: | | Zinc alloy or stainless steel | | |
| Mounting Hardware: | | Hex nuts, lockwasher and keyway washer. Silicone panel seal when applicable | | |

TE PART NUMBER CODE



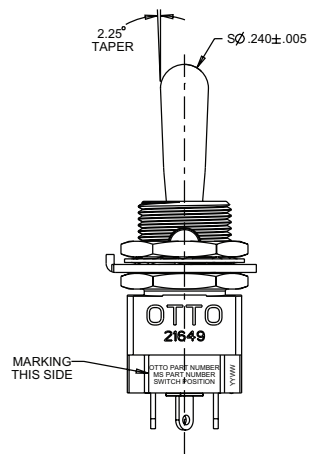
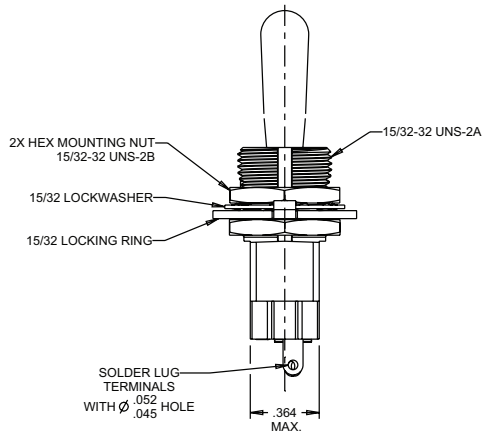
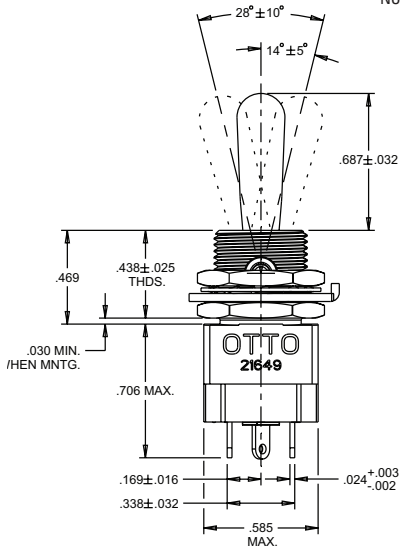
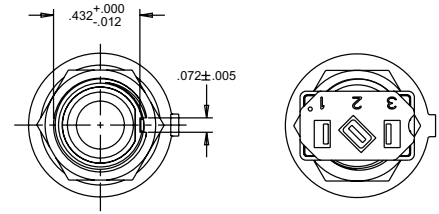
NOTE: () denotes momentary action.

Optional Panel Seal Gasket for 15/32-32 bushing
P/N C710196 per MIL. P/N M5423/16-01

TE-111 15/32-32, Single Pole MS90310

| CIRCUITS MADE WITH LEVER IN THESE POSITIONS: | | | | |
|--|-----------------|--------|----------|----------------|
| | Opposite Keyway | Center | Keyway | MS Dash Number |
| 1. | ON 2-3 | OFF | ON 1-2 | -211 |
| 2. | ON 2-3 | NONE | OFF | -221 |
| 3. | ON 2-3 | NONE | ON 1-2 | -231 |
| 5. | (ON) 2-3 | OFF | (ON) 1-2 | -271 |
| 6. | ON 2-3 | OFF | (ON) 1-2 | -311 |

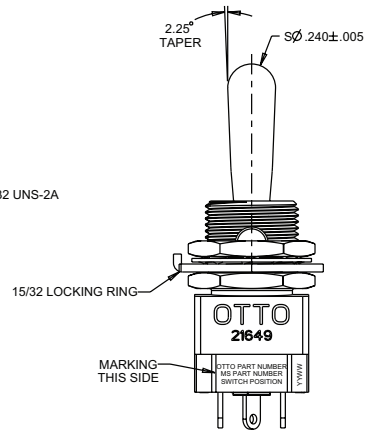
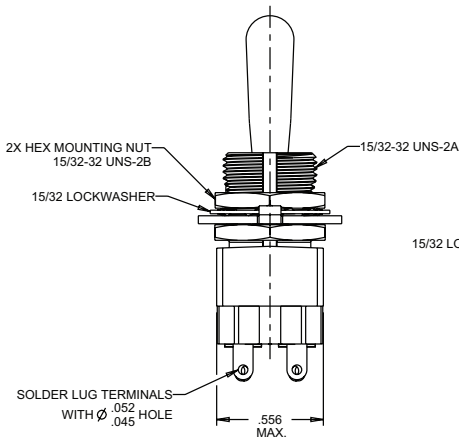
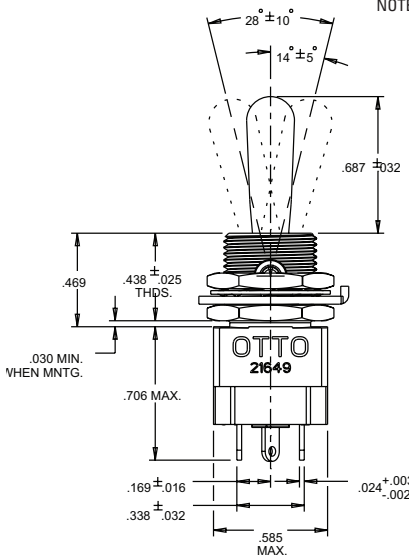
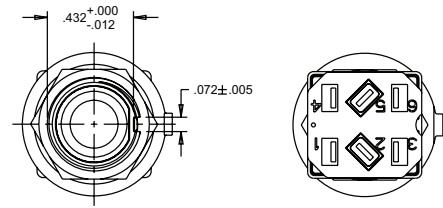
NOTE: () denotes momentary action.



TE-112 15/32-32, Double Pole MS90311

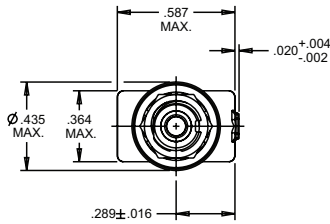
| CIRCUITS MADE WITH LEVER IN THESE POSITIONS: | | | | |
|--|-----------------|--------|---------------|----------------|
| | Opposite Keyway | Center | Keyway | MS Dash Number |
| 1. | ON 2-3, 5-6 | OFF | ON 1-2, 4-5 | -211 |
| 2. | ON 2-3, 5-6 | NONE | OFF | -221 |
| 3. | ON 2-3, 5-6 | NONE | ON 1-2, 4-5 | -231 |
| 5. | (ON) 2-3, 5-6 | OFF | (ON) 1-2, 4-5 | -271 |
| 6. | ON 2-3, 5-6 | OFF | (ON) 1-2, 4-5 | -311 |

NOTE: () denotes momentary action.



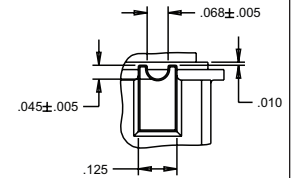
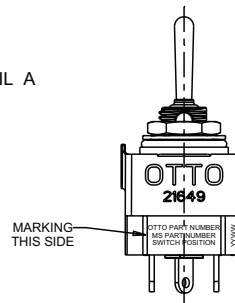
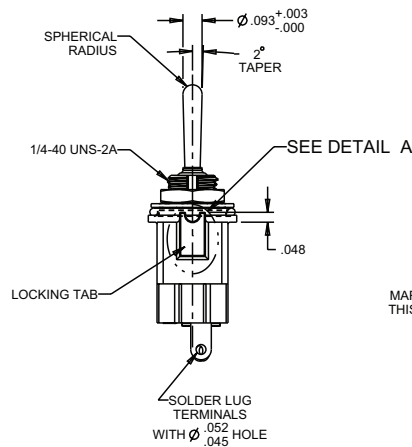
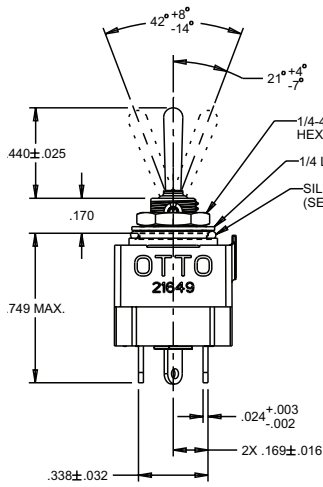
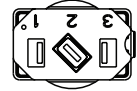
POSITIVE ACTION NON-TEASIBLE TOGGLE

TE-211 1/4-40 Bushing Single Pole MS24655

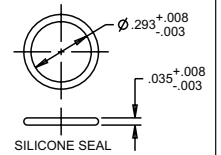


| CIRCUITS MADE WITH LEVER IN THESE POSITIONS: | | | |
|---|--------|----------|-------------------|
| Opposite Keyway | Center | Keyway | MS Dash Number |
| 1. ON 2-3 | OFF | ON 1-2 | -211 |
| 2. ON 2-3 | NONE | OFF | -221 |
| 3. ON 2-3 | NONE | ON 1-2 | -231 |
| 5. (ON) 2-3 | OFF | (ON) 1-2 | -271 |
| 6. ON 2-3 | OFF | (ON) 1-2 | -311 |

NOTE: () denotes momentary action.

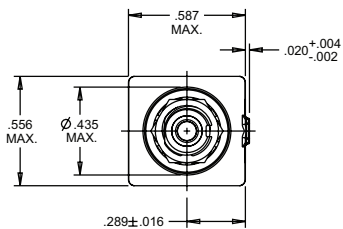


DETAIL A



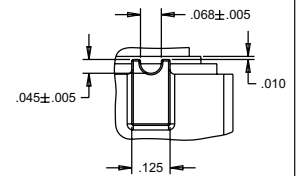
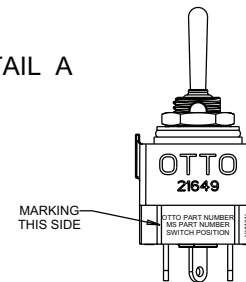
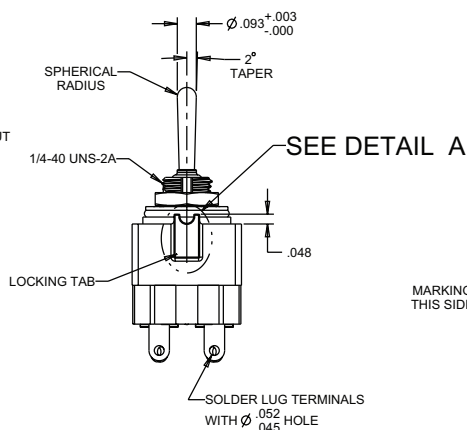
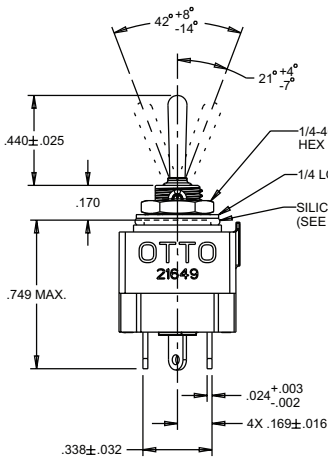
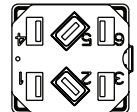
SILICONE SEAL

TE-212 1/4-40 Double Pole MS24656

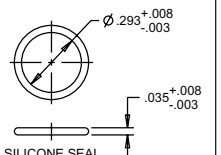


| CIRCUITS MADE WITH LEVER IN THESE POSITIONS: | | | |
|---|--------|---------------|-------------------|
| Opposite Keyway | Center | Keyway | MS Dash Number |
| 1. ON 2-3, 5-6 | OFF | ON 1-2, 4-5 | -211 |
| 2. ON 2-3, 5-6 | NONE | OFF | -221 |
| 3. ON 2-3, 5-6 | NONE | ON 1-2, 4-5 | -231 |
| 5. (ON) 2-3, 5-6 | OFF | (ON) 1-2, 4-5 | -271 |
| 6. ON 2-3, 5-6 | OFF | (ON) 1-2, 4-5 | -311 |

NOTE: () denotes momentary action.



DETAIL A



SILICONE SEAL