

COMMERCIAL & MIL MINIATURE TOGGLES

T3
MINIATURE
TOGGLES

FEATURING OTTO'S UNIQUE SNAP-ACTION ACTUATION

These miniature toggles are rugged, highly reliable switches offering positive detent action for safe switching operation. Featuring the unique OTTO snap-action switch actuation in conjunction with a unique toggle actuator design.

High contact pressure and superior wiping action of the OTTO design makes the T3 series an excellent choice for switching loads from logic level up to 5 amps.

Choose sealed one or two pole circuitry, 15/32-32 sealed or 1/4-40 unsealed bushing construction, momentary and/or maintained operation. The 15/32-32 bushing model is also available with lever lockout toggle feature or thumb button actuators.

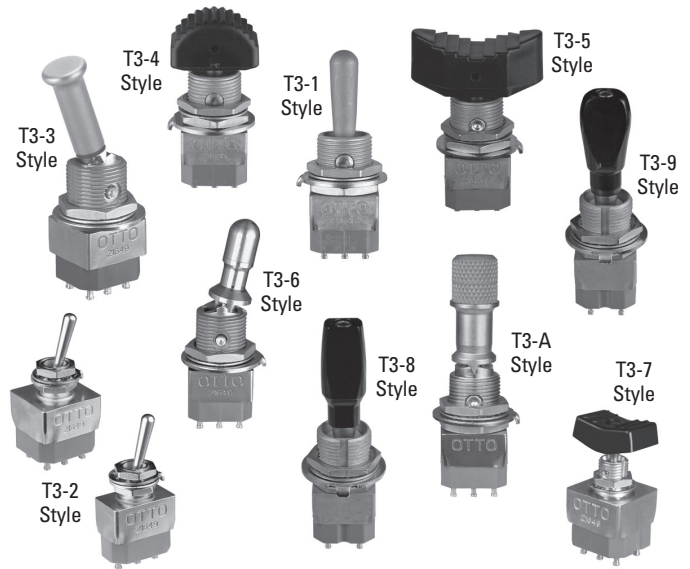
Molded-in terminals seal the contacts against moisture and solder flux wicking. The front-panel side of 15/32-32 bushing models are sealed against water and other liquids per MIL-DTL-83731.

In addition to the single turret solder terminal specified in MIL-DTL-83731, we also offer two different lengths of pins for printed circuit soldering.

Mounting hardware provided includes two hex nuts, one lockwasher and one keyway washer.

Features:

- Snap-action actuation
- Shorter behind panel depth
- Superior wiping action keeps contacts clean
- Positive tactile response prevents operating errors
- Weighs up to 25% less than competitive products
- More contact/terminal plating choices
- Highly reliable, simpler design, fewer parts
- Black matte finish available. Contact factory.
- RoHS compliant



Standard Characteristics/Ratings:

ELECTRICAL RATINGS:

Load	Sea Level @ 28VDC or 115VAC, 400Hz	@ 65,000 Feet
Resistive	5A	5A
Inductive	2A	2A
Lamp	1A	N/A
DWV	1200Vrms	400Vrms

Contact Resistance 25 mΩ max initial

Electrical Life: 30,000 cycles

Mechanical Life: 100,000 cycles

Seal: MIL-DTL-83731 (15/32-32 bushing style only)

Operating Temp Range: -65°C to +85°C

MATERIALS:

Handle: 303 Stainless

Bushing: Per MIL-DTL-83731

Body: Per MIL-DTL-83731

Terminal Hardware: None required

Mounting Hardware: Hex nuts, lockwasher and keyway washer

T3 PART NUMBER CODE

T3 - X X X X X X X - or X

Bushing Style **Terminal Style** **Circuitry** **Circuit Made With Lever At:** **Contact Material** **Lockout Feature** **Button Color** ②

1. 15/32-32 1. Single Turret 1. Single Pole **Keyway** Center Opposite 1. Silver/Gold Flash Lockout feature For bushing styles 4, 5 and 7

2. 1/4-40 4. PC Pin 0.150" lg. 2. Double Pole **Side** OFF Keyway 2. Gold Plate configuration code 1. Red

3. 15/32-32 With Lockout ① 5. PC Pin 0.270" lg. ON letters A-P for 2. Black

4. 15/32-32 With Convex Button ② ON bushing styles 3, 6 8. Gray

5. 15/32-32 With Concave Button ② ON and A only. **Lever Color**

6. 15/32-32 With Lockout and ON Otherwise omit. For bushing styles 1 & 2 - bat handle &

Smaller Bat Handle ① (ON) **bushing**

7. 1/4-40 with Rocker Button ② OFF **No Selection.** Clear

8. 15/32-32 with Small Paddle Bat (ON) **For bushing styles 3 & 6 - bat handle &**

Handle OFF **bushing (available only in clear)**

9. 15/32-32 with Large Paddle Bat (ON) **No Selection.** Clear

Handle **For bushing styles 8 & 9 - bat handle only**

A. 15/32-32 With Lockout and 1. Clear

Knurled Lockout Handle 2. Red

① Add appropriate lockout feature configuration code letter (A thru P) for bushing styles 3 and 6 only. **No Selection.** Black

② Button color codes (1, 2 and 8) for bushing styles 4, 5 and 7 at end of Part Number.

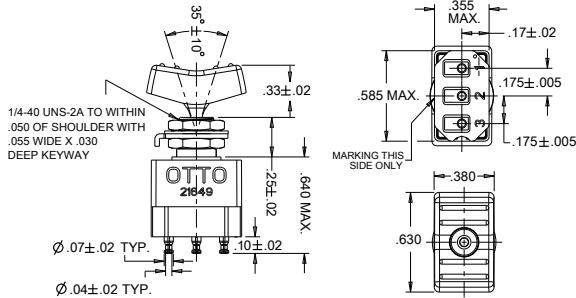
NOTE: () denotes momentary action.

TOGGLE SWITCHES

FEATURING OTTO'S UNIQUE SNAP-ACTION ACTUATION

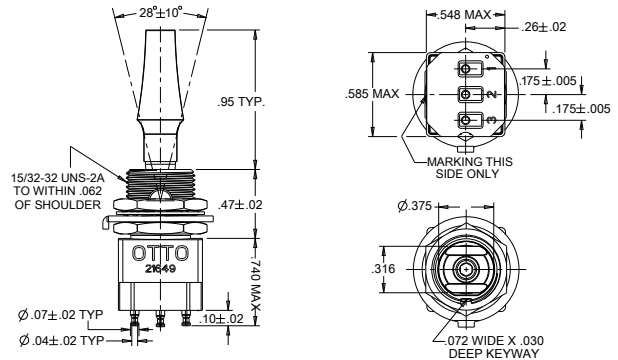
T3-7 Standard Toggle with Rocker Button, 1/4-40 Bushing

Unsealed front panel construction. Optional front panel seal P/N C700223.



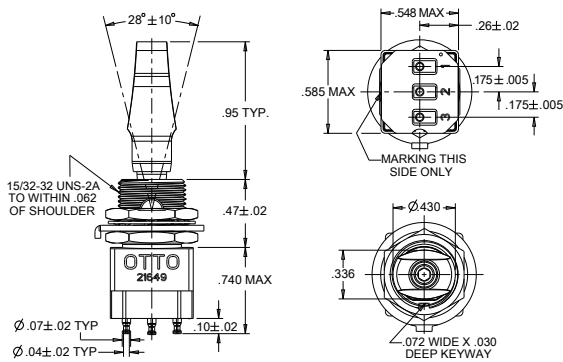
T3-8 Small Paddle Bat Handle Toggle, 15/32-32 Bushing

Sealed front panel construction.



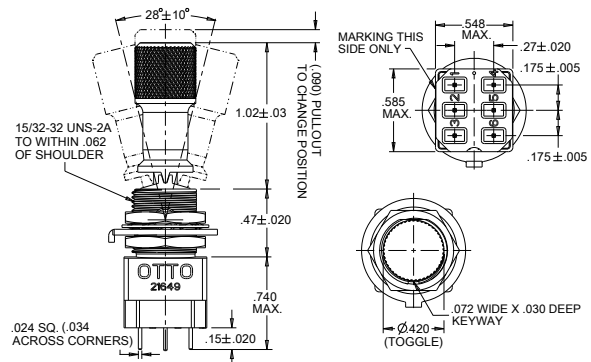
T3-9 Large Paddle Bat Handle Toggle, 15/32-32 Bushing

Sealed front panel construction.

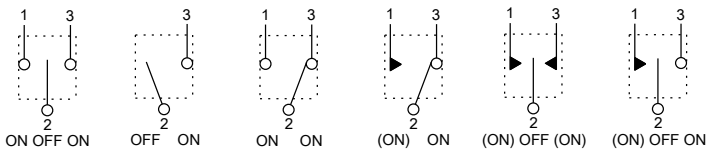


T3-A Standard Toggle, 1/4-40 Bushing

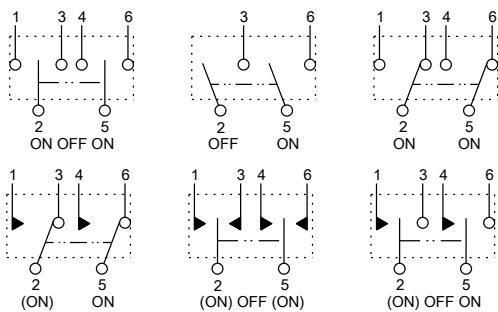
Unsealed front panel construction. Optional front panel seal P/N C700223.



SINGLE POLE SCHEMATICS



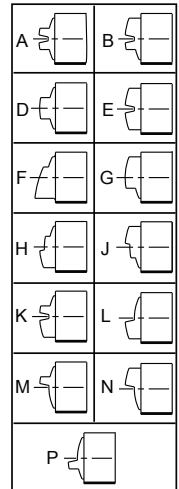
DOUBLE POLE SCHEMATICS



Lever Lockout Configuration Codes

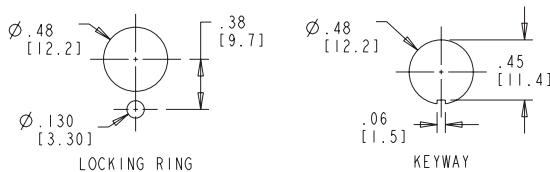
Figures A thru P are schematics to illustrate lockout configurations and momentary positions. They do not represent details of construction.

- A** Locked in all three positions
- B** Locked in Center and Keyway Side position
- D** Locked out of Center position
- E** Locked in Center position
- F** Locked in Opposite Keyway position
- G** Locked in Keyway Side position
- H** Locked out of Center and Keyway Side Position
- J** Locked out of Center and Opposite Keyway position
- K** Locked in Center and Opposite Keyway position
- L** Locked out of Keyway Side position
- M** Locked out of and into Opposite Keyway position
- N** Locked out of Opposite Keyway position
- P** Locked out of and into Keyway Side position



TOGGLE SWITCH MOUNTING DIMENSIONS (FOR REFERENCE ONLY)

MOUNTING DETAIL FOR 15/32" DIA. BUSHING SWITCHES



MOUNTING DETAIL FOR 1/4" DIA. BUSHING SWITCHES

