

# COMMERCIAL & MIL MINIATURE TOGGLES

**T3**  
MINIATURE  
TOGGLES

FEATURING OTTO'S UNIQUE SNAP-ACTION ACTUATION

These miniature toggles are rugged, highly reliable switches offering positive detent action for safe switching operation. Featuring the unique OTTO snap-action switch actuation in conjunction with a unique toggle actuator design.

High contact pressure and superior wiping action of the OTTO design makes the T3 series an excellent choice for switching loads from logic level up to 5 amps.

Choose sealed one or two pole circuitry, 15/32-32 sealed or 1/4-40 unsealed bushing construction, momentary and/or maintained operation. The 15/32-32 bushing model is also available with lever lockout toggle feature or thumb button actuators.

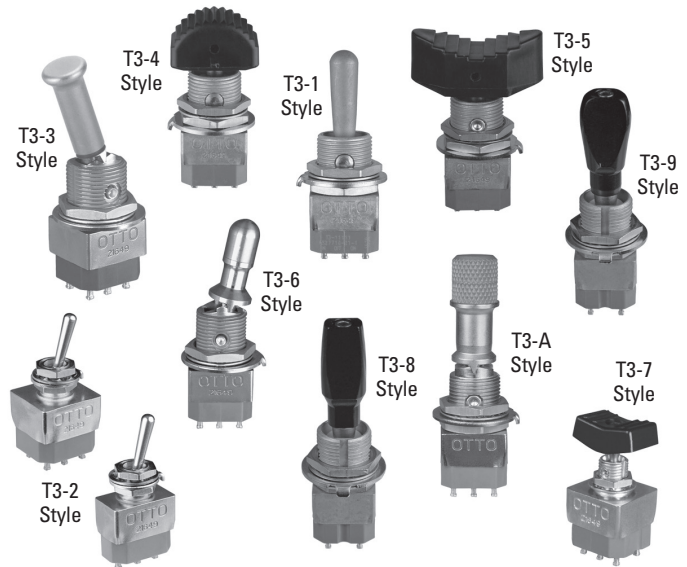
Molded-in terminals seal the contacts against moisture and solder flux wicking. The front-panel side of 15/32-32 bushing models are sealed against water and other liquids per MIL-DTL-83731.

In addition to the single turret solder terminal specified in MIL-DTL-83731, we also offer two different lengths of pins for printed circuit soldering.

Mounting hardware provided includes two hex nuts, one lockwasher and one keyway washer.

## Features:

- Snap-action actuation
- Shorter behind panel depth
- Superior wiping action keeps contacts clean
- Positive tactile response prevents operating errors
- Weighs up to 25% less than competitive products
- More contact/terminal plating choices
- Highly reliable, simpler design, fewer parts
- Black matte finish available. Contact factory.
- RoHS compliant



### Standard Characteristics/Ratings:

#### ELECTRICAL RATINGS:

Load	Sea Level @ 28VDC or 115VAC, 400Hz	@ 65,000 Feet
Resistive	5A	5A
Inductive	2A	2A
Lamp	1A	N/A
DWV	1200Vrms	400Vrms

Contact Resistance 25 mΩ max initial

**Electrical Life:** 30,000 cycles

**Mechanical Life:** 100,000 cycles

**Seal:** MIL-DTL-83731 (15/32-32 bushing style only)

**Operating Temp Range:** -65°C to +85°C

#### MATERIALS:

**Handle:** 303 Stainless

**Bushing:** Per MIL-DTL-83731

**Body:** Per MIL-DTL-83731

**Terminal Hardware:** None required

**Mounting Hardware:** Hex nuts, lockwasher and keyway washer

## T3 PART NUMBER CODE

T3	-	X	X	X	X	X	X	-	or	X
<b>Bushing Style</b>		<b>Terminal Style</b>	<b>Circuitry</b>	<b>Circuit Made With Lever At:</b>			<b>Contact Material</b>	<b>Lockout Feature</b>		<b>Button Color</b> ②
1. 15/32-32 2. 1/4-40 3. 15/32-32 With Lockout ① 4. 15/32-32 With Convex Button ② 5. 15/32-32 With Concave Button ② 6. 15/32-32 With Lockout and Smaller Bat Handle ① 7. 1/4-40 with Rocker Button ② 8. 15/32-32 with Small Paddle Bat Handle 9. 15/32-32 with Large Paddle Bat Handle A. 15/32-32 With Lockout and Knurled Lockout Handle		1. Single Turret 4. PC Pin 0.150" lg. 5. PC Pin 0.270" lg.	1. Single Pole 2. Double Pole	<b>Keyway Side</b> 1. ON 2. OFF 3. ON 4. (ON) 5. (ON) 6. (ON)	<b>Center</b> OFF NONE NONE NONE OFF OFF	<b>Opposite Keyway</b> ON ON ON ON (ON) ON	1. Silver/Gold Flash 2. Gold Plate	Lockout feature configuration code letters A-P for bushing styles 3, 6 and A only. Otherwise omit.		For bushing styles 4, 5 and 7 1. Red 2. Black 8. Gray <b>Lever Color</b> For bushing styles 1 & 2 - bat handle & bushing A. Black No Selection. Clear For bushing styles 3 & 6 - bat handle & bushing (available only in clear) No Selection. Clear For bushing styles 8 & 9 - bat handle only 1. Clear 2. Red No Selection. Black

NOTE: ( ) denotes momentary action.

① Add appropriate lockout feature configuration code letter (A thru P) for bushing styles 3 and 6 only.

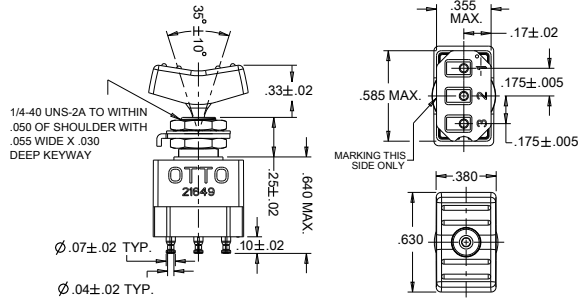
② Button color codes (1, 2 and 8) for bushing styles 4, 5 and 7 at end of Part Number.



FEATURING OTTO'S UNIQUE SNAP-ACTION ACTUATION

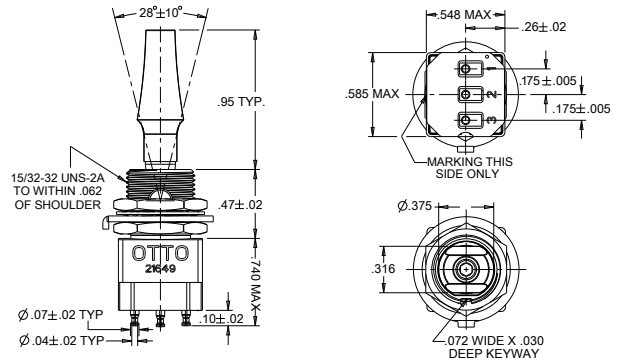
### T3-7 Standard Toggle with Rocker Button, 1/4-40 Bushing

Unsealed front panel construction. Optional front panel seal P/N C700223.



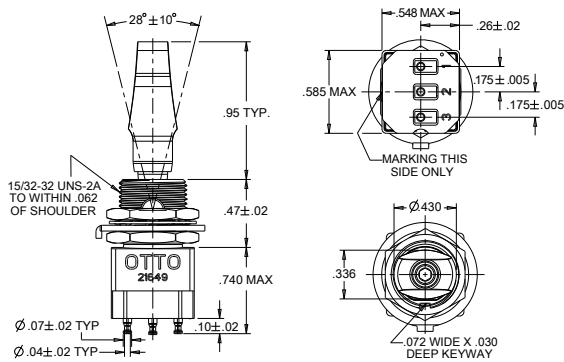
### T3-8 Small Paddle Bat Handle Toggle, 15/32-32 Bushing

Sealed front panel construction.



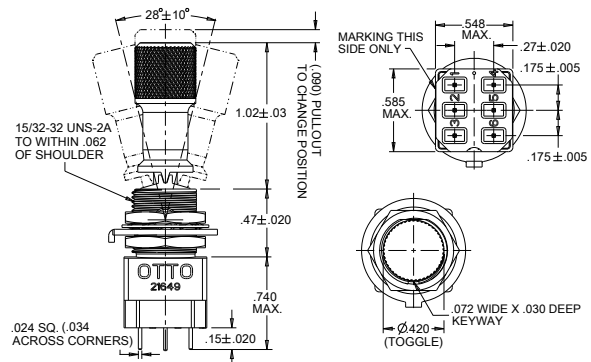
### T3-9 Large Paddle Bat Handle Toggle, 15/32-32 Bushing

Sealed front panel construction.

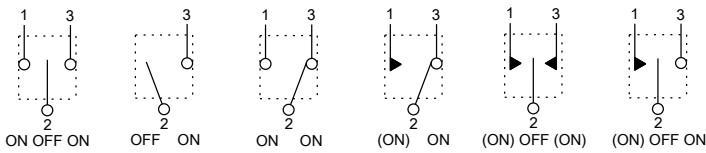


### T3-A Standard Toggle, 1/4-40 Bushing

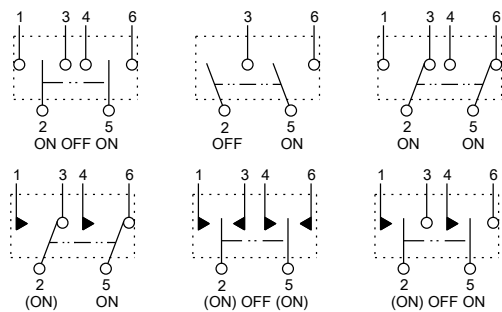
Unsealed front panel construction. Optional front panel seal P/N C700223.



#### SINGLE POLE SCHEMATICS



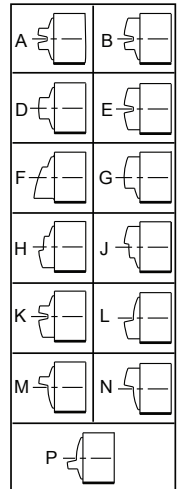
#### DOUBLE POLE SCHEMATICS



#### Lever Lockout Configuration Codes

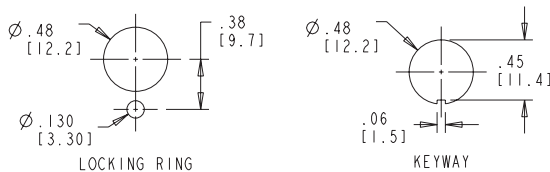
Figures A thru P are schematics to illustrate lockout configurations and momentary positions. They do not represent details of construction.

- A** Locked in all three positions
- B** Locked in Center and Keyway Side position
- D** Locked out of Center position
- E** Locked in Center position
- F** Locked in Opposite Keyway position
- G** Locked in Keyway Side position
- H** Locked out of Center and Keyway Side Position
- J** Locked out of Center and Opposite Keyway position
- K** Locked in Center and Opposite Keyway position
- L** Locked out of Keyway Side position
- M** Locked out of and into Opposite Keyway position
- N** Locked out of Opposite Keyway position
- P** Locked out of and into Keyway Side position



#### TOGGLE SWITCH MOUNTING DIMENSIONS (FOR REFERENCE ONLY)

##### MOUNTING DETAIL FOR 15/32" DIA. BUSHING SWITCHES



##### MOUNTING DETAIL FOR 1/4" DIA. BUSHING SWITCHES

