

BUSHING MOUNT PUSHBUTTONS FOR B2 & B3 BASICS



P4-10050-x



P4-10149-x

Rugged Sealed Panel

These rugged, sealed aluminum pushbutton actuators are anodized in a variety of colors. Available in one and two pole models. An O-ring provides the panel seal to keep out water and dust from the basic switches behind the panel.

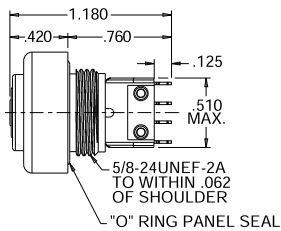
Operating Force:

- 1 Pole: 2.5 lbs. max
- 2 Pole: 4.0 lbs.

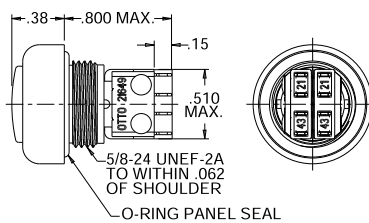
To order, please use Table A.

Table A

Part No. SPDT-DB	Part No. DPDT-DB	Button Color
P4-10050-1	P4-10149-1	Red
P4-10050-2	P4-10149-2	Black
P4-10050-3	P4-10149-3	Orange
P4-10050-4	P4-10149-4	Yellow
P4-10050-5	P4-10149-5	Green
P4-10050-6	P4-10149-6	Blue
P4-10050-7	P4-10149-7	Violet
P4-10050-8	P4-10149-8	Gray
P4-10050-9	P4-10149-9	Clear



P4-10050-X



P4-10149-X

Standard Sealed TwoStep™

Ideal for applications requiring three modes of operation: "OFF," Level 1 and Level 2. Plunger seal is dusttight and moistureproof. Available in P1 series bezel styles C, F and H. Two pole only.

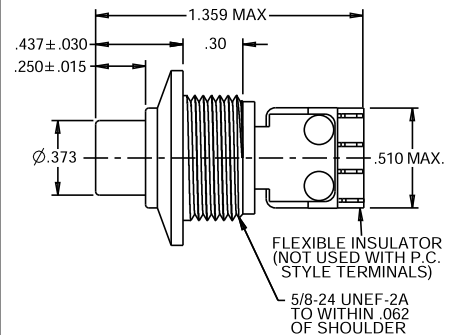
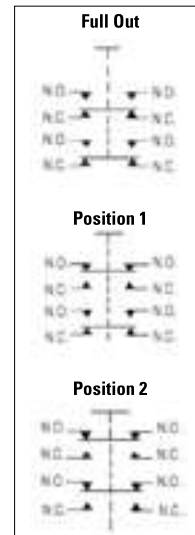
Standard Operating Force:

- Position 1: 2.25 lbs. max
- Position 2: 3.25 lbs. max

Total Travel: 0.140 inches max



Sequence of Action



Miniature, Offset Pushbutton

This miniature switch features an offset pushbutton to clear back of panel interference, stainless steel bushing and natural acetal button.

- Operating Force:** 8 oz max
- Circuit:** SPDT
- Rating:** 1 amp Resistive
- Mechanical Life:** 50,000 cycles
- Electrical Life:** 25,000 cycles
- P4-900027**



Special TwoStep™ Pushbutton, Dusttight Sealed

Switch "A" operates at Level 1; stays "on" when Level 2 operates Switch "B".

- Circuit:** SPDT 2 circuit
- Rating:** 5 amps Resistive
3 amps Inductive @ 28VDC
- Operating Force:** Level 1: 1.75 +/- 0.5 lb.
Level 2: 2.75 +/- 0.5 lb.
- Button:** Red nylon
- P4-20002**



Style F, Panel Sealed, 2 Pole

Moistureproof and dusttight sealed switch features the "F" style bezel, as illustrated on previous page. Button is molded of gray nylon.

- Total Travel:** 0.100" max
- Operating Force:** 4.0 lbs. +/- 1.0 lb.
- Circuit:** DPNO-DB
- Rating:** 10 amps Resistive
5 amps Inductive
- Mechanical Life:** 50,000 cycles
- Electrical Life:** 25,000 cycles
- P4-600009**



Splash and Dusttight Sealed, 2 Pole, 4 Circuit

- Operating Force:** 4.0 lbs. +/- 1.0 lb.
- Circuit:** DPDT 4 circuit
- Rating:** 5 amps Resistive
3 amps Inductive
- Contacts:** Basic switches:
Qualified per MIL-PRF-8805/101-009
- Button:** Black nylon
- P4-10044**



BUSHING MOUNT PUSHBUTTONS FOR B2 & B3 BASICS

Square Button, Single Pole, 2 Circuit

This subminiature pushbutton switch features a button molded of Lexan.

Operating Force: 24 +/- 4 oz

Rating: 5 amps Resistive
3 amps Inductive

Contacts: Gold plate

White and other colors available.

P4-300015



Vandal Resistant

Brass plated dull nickel housing and button is watertight sealed. Ideal for unattended machines operated by the public.

Total Travel: 0.10" max

Operating Force: 4.0 lbs. max

Circuit: DPNO-DB

Mechanical Life: 50,000 cycles

Bezel: 0.969" dia.

Button: 0.600" dia.

P4-10155-2

For larger 1.5" dia., SPNO-DB design, see P1-90135-2.



Watertight Panel Sealed Double Pole

Dress ring has O-ring provision for watertight panel seal. Button and case are black. Switch uses MIL-PRF-8805/101 basics. Seal is watertight. Operating force is 4.0 lbs.

P4-900003



1/4-40 Bushing, SPDT 2 Circuit

This subminiature pushbutton switch features an anti-turn device to facilitate installation.

Operating Force: 10 oz max

Rating: 8 amps Resistive @ 28VDC

Bushing: Stainless steel

Bracket: Stainless steel

Button: Nylon

P4-10029



6 Pole, Right Angle, PC Mount

Solders into printed circuit board. Basic switches per MIL-PRF-8805/4.

Operating Force: 3.5 lbs. max

Rating: 1 amp Resistive

Contacts: Gold

Button Color: Choice of nine colors

P4-10073-X

(X denotes button color)



2 Pole, Right Angle, Bushing Mount—Single and TwoStep™ Versions

Right angle bushing mount assembly of basic switches. Either 2-mode momentary or 3-mode. TwoStep™ (OFF-Level 1-Level 2) action.

Operating Force: 24 +/- 4 oz

Rating: 8 amps Resistive

Plunger: Red nylon (Other colors available)

Bushing: Stainless steel

Single Level: P4-10022 **TwoStep™:** P4-20003



8 Pole, Positive Detent, Sealed

Circuit: 8 PDT

Rating: 1 amp Resistive
0.5 amps Inductive

Bracket: Stainless steel

Bushing: Aluminum black anodized

Button: Nylon, choice of nine colors

P4-10082-X

(X denotes button color)



Push-Pull Button, 3 Pole

When the button is pushed down, a locking mechanism holds the pushbutton in the operated state. When the button is pulled up to release the lock, the pushbutton returns to its original position.

Total Travel: .200" max.

Operating Force: 3 lbs. min.

Circuit: SPDT-DB

Rating: 2 amps Resistive @ 28VDC

Button: Black thermoplastic

P4-900124



Miniature with Shrouded Pushbutton, Unsealed

Total Travel: 0.070" max

Operating Force: 2.5 lbs. max

Circuit: DPDT-DB

Rating: 8 amps Resistive @ 28VDC

Button: Black nylon

Housing: Clear anodized aluminum

Plunger: Unsealed

P4-10090



Miniature with Shrouded Pushbutton, Dusttight Sealed

Total Travel: 0.100" max

Operating Force: 4.0 lbs. max

Circuit: DPDT-DB

Rating: 8 amps Resistive @ 28VDC

Button: Black nylon

Housing: Black anodized aluminum

Plunger: Dusttight sealed

P4-900019

