

# PUSHBUTTON SWITCHES

## Series - 8895-8897, 8899

## Hand Controls with Pushbutton Switches

### FEATURES

- High strength handles and caps
- Control stick mounted on hand-held grips
- Trigger-operated pushbutton switches in handle
- Positive action, double break trigger switch
- Auxiliary switch in cap on 8895K1
- Catalog part numbers 8895 and 8896 mount to control stick
- Catalog part number 8897 features a hand strap for multi-task capability

### SPECIFICATIONS

- High impact Thermoset molding materials used in handles and caps
- Temperature Range: -67°F to +150°F (-55°C to +65°C)
- Life: 10,000 operations at rated load  
10,000 operations mechanical life

### CURRENT RATINGS

Catalog Number	Type of Operation	28VDC			115VAC 60 or 400Hz		
		Resistive Load	Inductive Load	Lamp Load	Resistive Load	Inductive Load	Lamp Load
8895K1	Trigger PB sw	40	35	5	30	20	3
	Auxiliary PB sw	20	15	1.5	11	11	1
8896K1	Trigger PB sw	40	35	5	30	20	3
8897K1	Trigger PB sw	40	35	5	30	20	3
8899K <sup>Ⓞ</sup>	Pushbutton sw	10	5	3	—	—	—

<sup>Ⓞ</sup>Contact Customer Service for product information 800/955-7354, 941/751-7138, Fax 941/751-7173.

### SELECTION TABLE



8896K1



8895K1



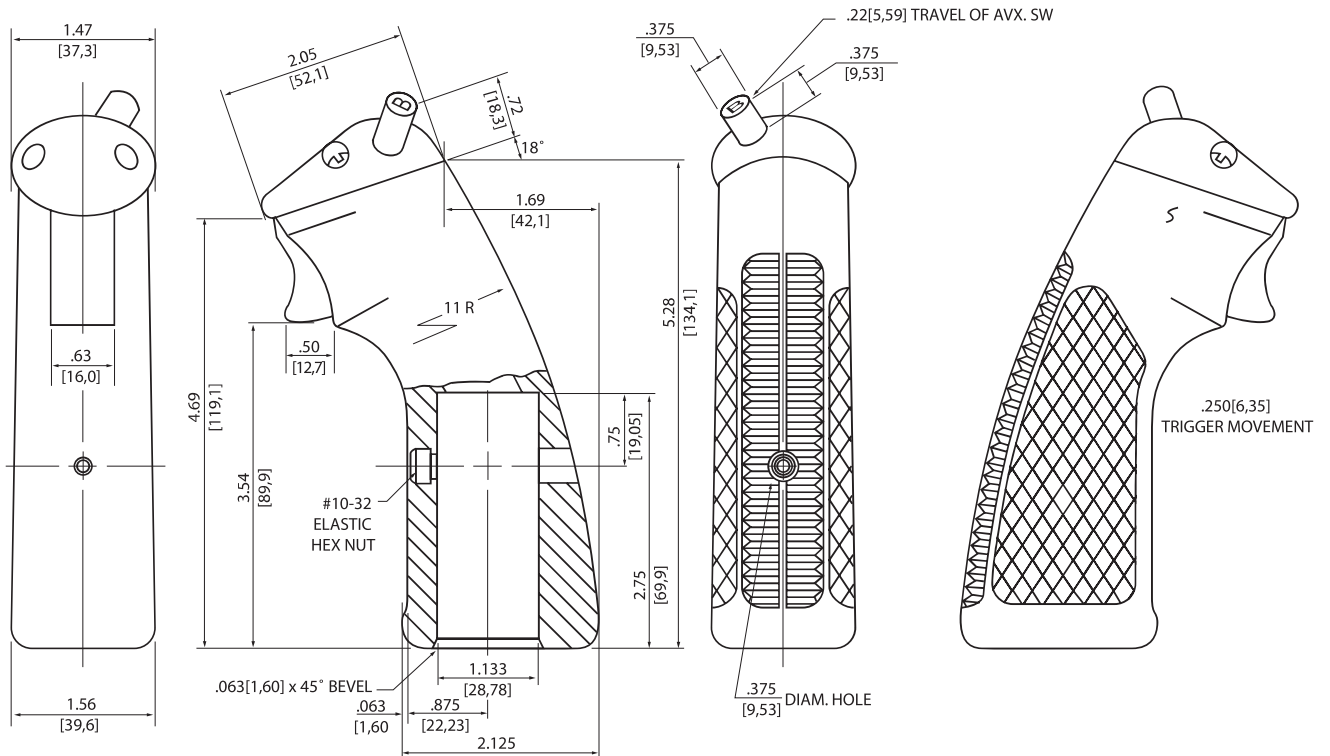
8897K1



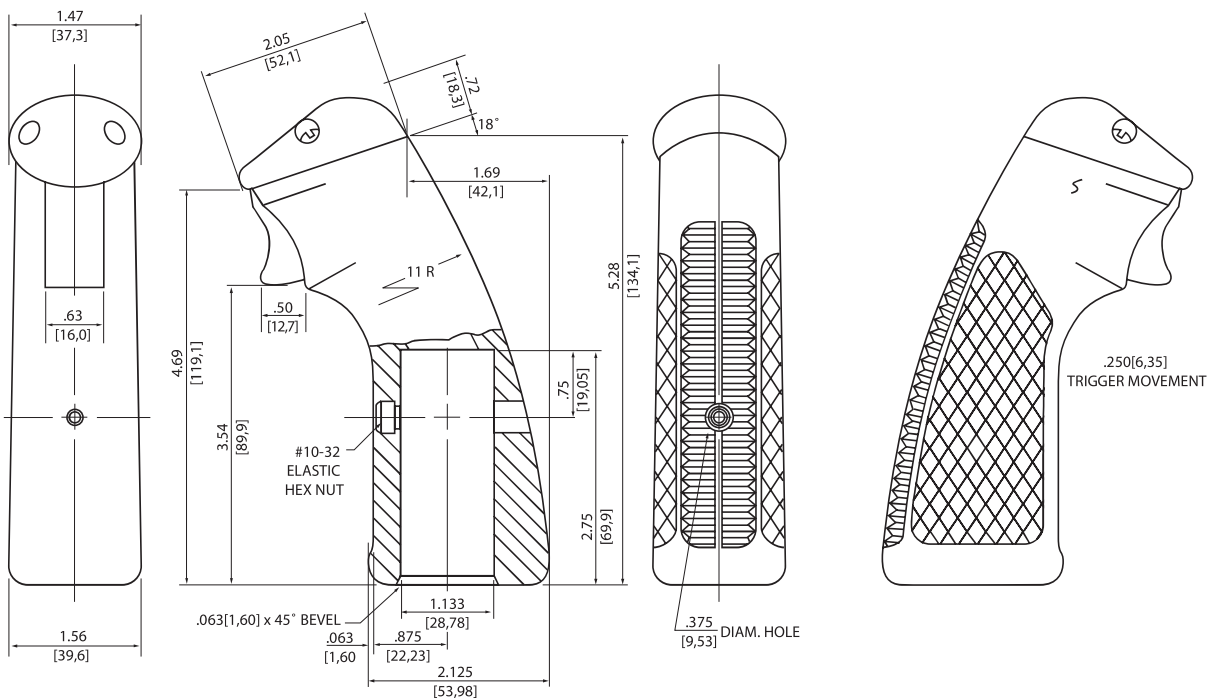
8899

Type	Poles and Throw	Circuit Arrangement		Features	Government Number	Drawing	Catalog Number	
		Normal	Depressed					
Pistol Grip	1 P.S.T.	OFF	ON*	—	NAF1173-1		8896K1	
			OFF	—	With Auxiliary Switch	NAF1173-2		8895K1
			ON*	—	With Hand Strap	NAF1174-1		8897K1

APPROXIMATE DIMENSIONS - 8895K1



APPROXIMATE DIMENSIONS - 8896K1



STANDARD  
0.00 = inches  
[0,0] = mm

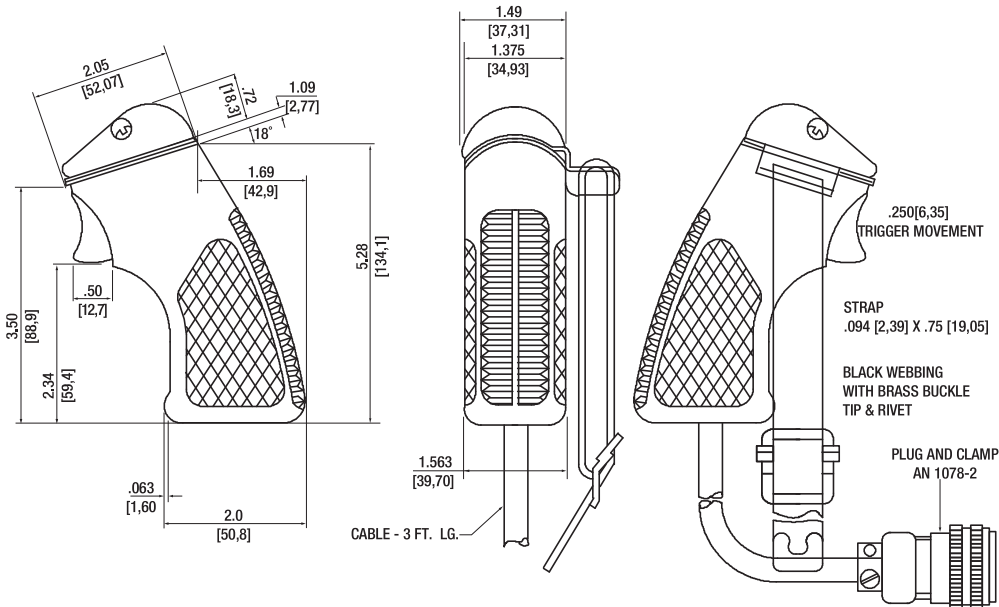
Dimensions for reference only.

# PUSHBUTTON SWITCHES

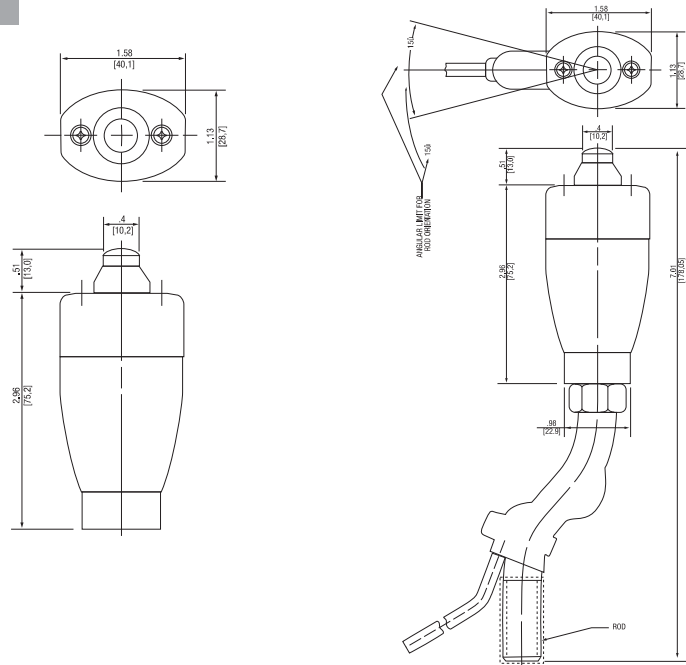
Series - 8895-8897, 8899

Hand Controls with Pushbutton Switches

## APPROXIMATE DIMENSIONS - 8897



## APPROXIMATE DIMENSIONS - 8899



## OPTIONS/ACCESSORIES

- Replace trigger switch with sealed pushbutton switch
- Harness assemblies available
- Auxiliary toggle or pushbutton switches installed in cap (8896K & 8897K type)
- Multi-function switch variations
- Replacement components
- Joystick or hand-held configurations available (8899K series)

### STANDARD

0.00 = inches

[0,0] = mm

Dimensions for reference only.