

MINIATURE POSITIVE ACTION SWITCHES

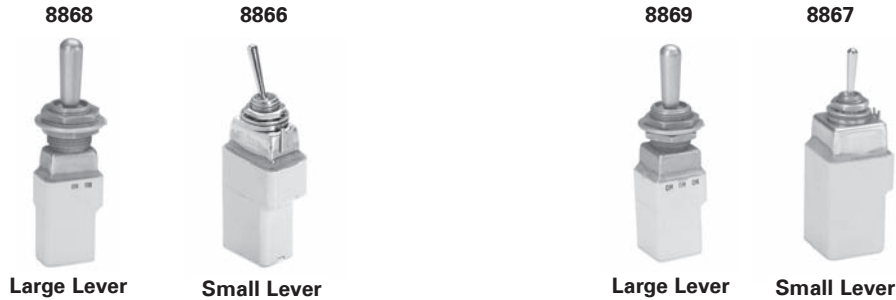
Series - 8855, 8856, 8866-69

MIL-DTL-8834 Miniature Positive Action Switches
Toggle and Lever Lock/IWTS Terminals

| FEATURES | | SPECIFICATIONS | | CURRENT RATINGS | | | | | | | | |
|--|--|----------------|----------------------|--------------------------|--------------------------|----------------|--|----------------|------|-------|--|--|
| <ul style="list-style-type: none"> Sealed bushing Dry circuit (logic level loads) to power switching levels 1 and 2 pole circuitry Non-teasible mechanism for all but center "ON" circuit Small and large size bushings and Actuator Toggle and lever lock Actuator Wiping action contacts Positive make and break action Integrated Wire Termination System (IWTS) | <ul style="list-style-type: none"> Bushing seal or bonded seal per MIL-DTL-8834 MS approved and QPL listed to MIL-DTL-8834 Temperature Range: -67°F to +160°F (-55°C to +71°C) Life: 20,000 operations at rated load 40,000 operations mechanical life Bushing thread sizes: Small Toggle: ¼" - 40 thread Large Toggle and Lever Lock: 15/32" - 32 thread Accepts SAE-AS39029/1-101 Pins (pins not included) | No. of Poles | Catalog Number | Type of Operation | 28VDC (Amperes per pole) | | 115VAC 60Hz and 400Hz (Amperes per pole) | | | | | |
| | | | | | Resistive Load | Inductive Load | Resistive Load | Inductive Load | | | | |
| | | | | | 28VDC | 28VDC | 60Hz | 400Hz | 60Hz | 400Hz | | |
| | | 1 | 8855 8866 8868 | Maintained and Momentary | 5 | 1 | 2 | 3 | 1 | 2 | | |
| | | 2 | 8856 8867 8869 | Maintained and Momentary | 5 | 1 | 2 | 3 | 1 | 2 | | |

Minimum Rating: 25 microamperes at 5 millivolts.

SELECTION TABLE



| CIRCUIT WITH LEVER IN . . . | | | ONE POLE | | | | TWO POLE | | | | | |
|-----------------------------|-----------------|------------------------|----------------|------------------|----------------|------------------|----------------|----------------------|----------------|----------------------|----------------|-----------------------|
| Up Position | Center Position | Down Position (Keyway) | MS Part Number | Catalog Number | MS Part Number | Catalog Number | MS Part Number | Catalog Number | MS Part Number | Catalog Number | MS Part Number | Catalog Number |
| | | | | Large Lever | | Small Lever | | Large Lever | | Small Lever | | Large Lever |
| ON | OFF | ON | MS21346-211 | 8868K51 | MS24655-211W | 8866K51 | MS21347-211 | 8869K51 | MS24656-211W | 8867K51 | MS21347-711 | 8869K51X |
| ON | NONE | OFF | -221 | K57 | -221W | K57 | -221 | K57 | -221W | K57 | -721 | K57X |
| ON | NONE | ON | -231 | K54 | -231W | K54 | -231 | K54 | -231W | K54 | -731 | K54X |
| ON | OFF | NONE | -241 | K55 | -241W | K55 | -241 | K55 | -241W | K55 | -741 | K55X |
| *ON | OFF | ON* | MS21346-271 | 8868K52 | -271W | 8866K52 | MS21347-271 | 8869K52 | -271W | 8867K52 | MS21347-771 | 8869K52X |
| NONE | OFF | ON* | -281 | K56 | -281W | K56 | -281 | K56 | -281W | K56 | -781 | K56X |
| ON | OFF | ON* | -311 | K53 | -311W | K53 | -311 | K53 | -311W | K53 | -811 | K53X |
| NONE | ON | ON* | MS21346-321 | K58 ^① | -321W | K58 ^① | MS21347-321 | 8869K58 ^① | -321W | 8867K58 ^① | MS21347-821 | 8869K58X ^① |
| ON | ON | ON | - | - | -331W | - | -331 | K59 ^① | -331W | K59 ^① | -831 | K59X ^① |
| ON | ON | ON* | - | - | -351W | - | -351 | K510 ^① | -351W | K510 ^① | -851 | K510X ^① |
| *ON | ON | ON* | - | - | -341W | - | -341 | K511 ^① | -341W | K511 ^① | -841 | K511X ^① |

*** Momentary contact.**

① Dielectric per MIL-DTL-8834 except limited to 1250 volts. Delayed action of the switch toggle lever may cause circuit to close or open before snap action mechanism trips.

② Furnished with Bonded Seal feature. (Meets 15' head of water level requirement.)

SELECTION TABLE



8855



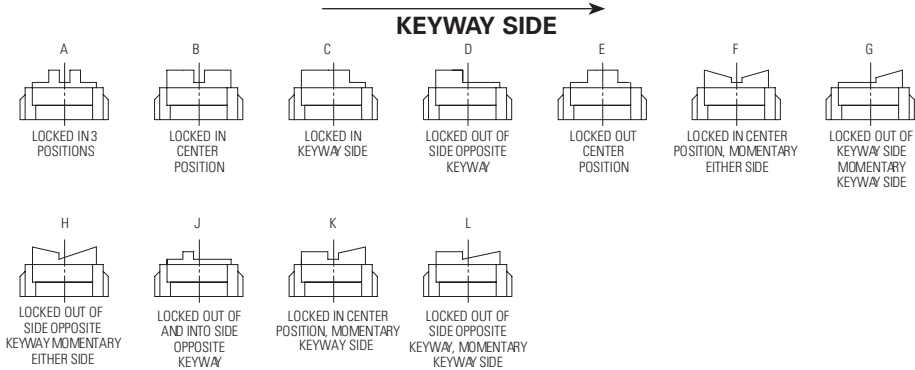
8856

| CIRCUIT WITH LEVER IN . . . | | | ONE POLE | | TWO POLE | | |
|-----------------------------|-----------------|------------------------|--------------------------|----------------|----------------|----------------|----------------|
| Up Position | Center Position | Down Position (Keyway) | Lever Lock Bushing Style | MS Part Number | Catalog Number | MS Part Number | Catalog Number |
| ON → | ← OFF → | ← ON | A | MS21346-A211 | 8855K54 | MS21347-A211 | 8856K54 |
| ON | ← OFF → | ON | B | -B211 | K55 | -B211 | K55 |
| ON | ← OFF | NONE | B | -B241 | K519 | -B241 | K519 |
| ON | NONE | ← OFF | C | -C221 | K513 | -C221 | K513 |
| ON | NONE | ← ON | C | -C231 | K57 | -C231 | K57 |
| ON | ← OFF | ON | D | MS21346-D211 | 8855K510 | MS21347-D211 | 8856K510 |
| ON → | NONE | ← OFF | E | -E221 | K514 | -E221 | K514 |
| ON → | NONE | ← ON | E | -E231 | K58 | -E231 | K58 |
| * ON | ← OFF → | ON* | F | -F271 | K515 | -F271 | K515 |
| ON | OFF → | ON* | G | -G311 | K516 | -G311 | K516 |
| * ON | ← OFF | ON* | H | MS21346-H271 | 8855K517 | MS21347-H271 | 8856K517 |
| ON → | ← OFF | NONE | J | -J241 | K59 | -J241 | K59 |
| NONE | OFF → | ON* | K | -K281 | K518 | -K281 | K518 |
| ON | ← OFF → | ON* | K | -K311 | K520 | -K311 | K520 |
| ON | ← OFF | ON* | L | -L311 | K512 | -L311 | L512 |

*** Momentary contact.**
→ Indicates direction against which lever is locked.
See page A75 for special circuit diagrams.

OPTIONS/ACCESSORIES LEVER LOCK - BUSHING STYLES

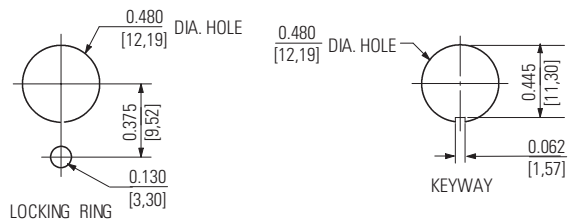
- Special mounting hardware
- Special marking
- Mounting hardware furnished assembled
- Panel seal, Part Number 32-341 (15/32" - 32 bushing only)
- Special circuits
- Special bushing and lever finish
- Special locking cap style on lever lock switches
- EMI/RFI capability on two pole (15/32" - 32 bushing only)



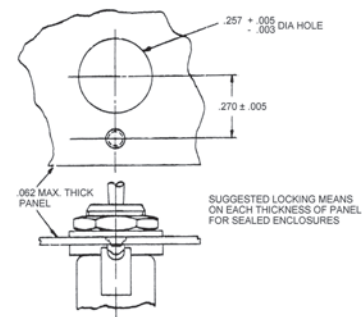
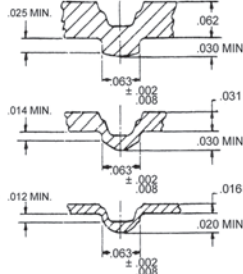
Figures A thru L do not represent details of construction. They schematically illustrate locking function.

PANEL CUTOUT DIMENSIONS

15/32 DIA. BUSHING



1/4 DIA. BUSHING

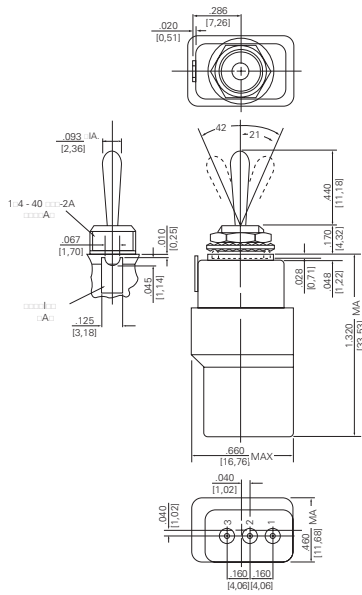


MINIATURE POSITIVE ACTION SWITCHES

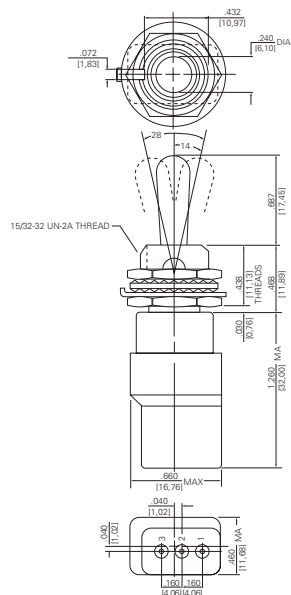
Series - 8855, 8856, 8866-69

MIL-DTL-8834 Miniature Positive Action Switches
Toggle and Lever Lock/IWTS Terminals

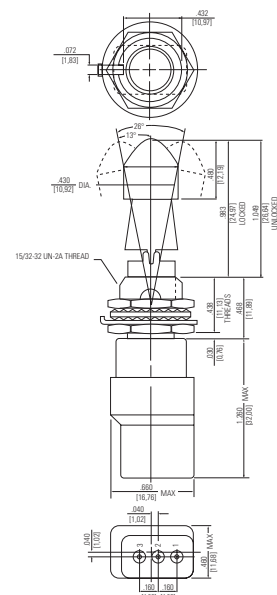
MOUNTING DIMENSIONS - ONE POLE / 8855, 8866, 8868



Small Toggle

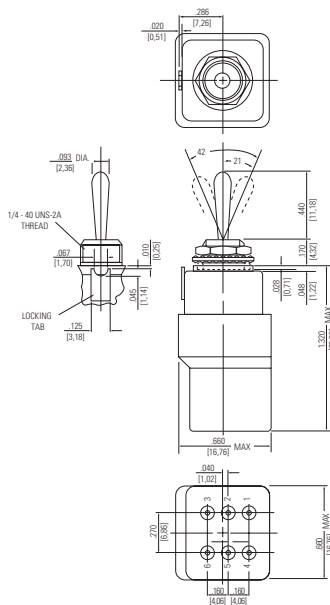


Large Toggle/ Terminal Identification

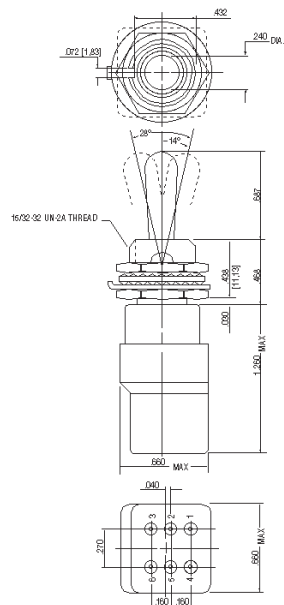


Lever Lock

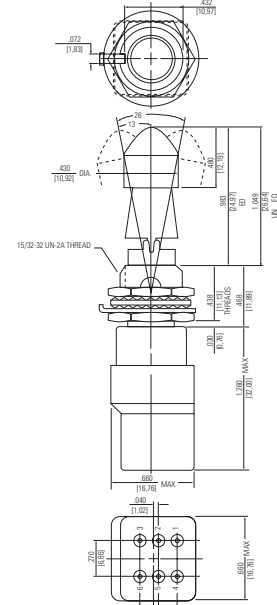
MOUNTING DIMENSIONS - TWO POLE / 8856, 8867, 8869



Small Toggle



Large Toggle/ Terminal Identification



Lever Lock

STANDARD
0.00 = inches
[0,0] = mm

Mounting dimensions for reference only.