

ENVIRONMENTALLY SEALED POSITIVE ACTION SWITCHES







Series-8836-8838
& 8843-8845

MIL-DTL-8834 Environmentally Sealed Positive Action Switches

| FEATURES | | SPECIFICATIONS | | CURRENT RATINGS | | | | | | | | |
|---|--|--------------------------|----------------|-------------------|--------------|----------------|----------------|-------------|----------------|----------------|-----------|----------------|
| <ul style="list-style-type: none"> Environmentally sealed High electrical/ mechanical reliability Non-teasible mechanism Wiping action contacts Positive make and break action Molded-in terminal numbers One hole mounting for easy installation Terminal variations Toggle and lever lock Actuator Dry circuit (logic level loads) to power switching levels Solderable screw terminals 1, 2 and 4 pole circuitry | <ul style="list-style-type: none"> Environmentally sealed per MIL-DTL-8834 MS approved and QPL'd per MIL-DTL-8834 Two terminal variations <ul style="list-style-type: none"> - Screw 6-32 UNC-2B threads - Solder Lug .125 [3,17] dia. hole Temperature range: -67°F to +160°F (-55°C to +71°C) Life: 20,000 cycles at rated load 40,000 cycles mechanical life Positive action mechanism for high reliability and low contact bounce | 28VDC (Amperes per pole) | | | 115VAC 400Hz | | | 115VAC 60Hz | | | | |
| | | No. of Poles | Catalog Number | Type of Operation | Lamp Load | Resistive Load | Inductive Load | Lamp Load | Resistive Load | Inductive Load | Lamp Load | Resistive Load |
| 1 | 8836 & 8843 | Maintained & Momentary | 7 | 25 | 15 | 7 | 25 | 15 | 7 | 20 | 15 | |
| 2 | 8837 & 8844 | Maintained & Momentary | 7 | 25 | 15 | 7 | 25 | 15 | 7 | 20 | 15 | |
| 4 | 8838 & 8845 | Maintained & Momentary | 7 | 25 | 15 | 7 | 25 | 15 | 7 | 20 | 15 | |

Minimum Rating: 10 milliamperes at 30 millivolts.

LEVER LOCK SELECTION TABLE

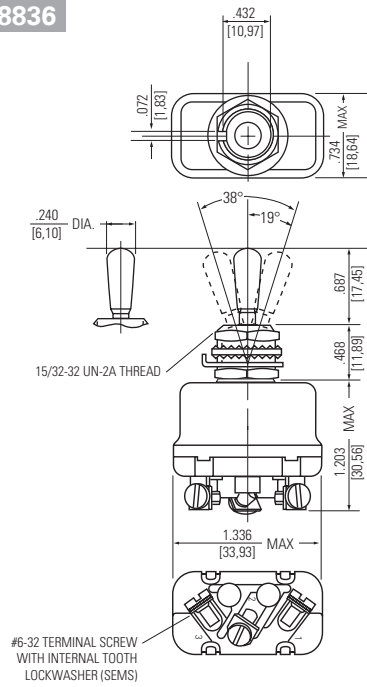
| CIRCUIT WITH LEVER IN . . . | | | | CATALOG NUMBER | | | |
|---|---|---|----------------|----------------|----------------|----------------|-------------|
| Up Position | Center Position | Down Position (Keyway) | Screw Terminal | | Solder Lug | | |
|  |  |  | MS Part Number | Catalog Number | MS Part Number | Catalog Number | |
| ONE POLE | | | | | | | |
|  | ON | OFF | ON | MS25306-212 | 8836K1 | MS14001-212 | 8836K91 |
| | ON | NONE | OFF | -222 | K9 | -222 | K99 |
| | ON | NONE | ON | -232 | K4 | -232 | K94 |
| | ON | OFF | NONE | -242 | K6 | -242 | K96 |
| | ON | NONE | ON* | MS25306-262 | 8836K5 | MS14001-262 | 8836K95 |
| | * ON | OFF | ON* | -272 | K2 | -272 | K92 |
| | NONE | OFF | ON* | -282 | K7 | -282 | K97 |
| | ON | NONE | OFF* | -292 | K10 | -292 | K910 |
| | OFF | NONE | ON* | MS25306-302 | 8836K11 | MS14001-302 | 8836K911 |
| | ON | OFF | ON* | -312 | K13 | -312 | K93 |
| | TWO POLE | | | | | | |
| |  | ON | OFF | ON | MS25307-212 | 8837K1 | MS14002-212 |
| ON | | NONE | OFF | -222 | K9 | -222 | K99 |
| ON | | NONE | ON | -232 | K4 | -232 | K94 |
| ON | | OFF | NONE | -242 | K6 | -242 | K96 |
| ON | | NONE | ON* | MS25307-262 | 8837K5 | MS14002-262 | 8837K95 |
| * ON | | OFF | ON* | -272 | K2 | -272 | K92 |
| NONE | | OFF | ON* | -282 | K7 | -282 | K97 |
| ON | | NONE | OFF* | -292 | K10 | -292 | K910 |
| OFF | | NONE | ON* | MS25307-302 | 8837K11 | MS14002-302 | 8837K911 |
| ON | | OFF | ON* | -312 | K3 | -312 | K93 |
| FOUR POLE | | | | | | | |
|  | | ON | OFF | ON | MS25308-212 | 8838K1 | MS14003-212 |
| | ON | NONE | OFF | -222 | K9 | -222 | K99 |
| | ON | NONE | ON | -232 | K4 | -232 | K94 |
| | ON | OFF | NONE | -242 | K6 | -242 | K96 |
| | ON | NONE | ON* | MS25308-262 | 8838K5 | MS14003-262 | 8838K95 |
| | * ON | OFF | ON* | -272 | K2 | -272 | K92 |
| | NONE | OFF | ON* | -282 | K7 | -282 | K97 |
| | ON | NONE | OFF* | -292 | K10 | -292 | K910 |
| | OFF | NONE | ON* | MS25308-302 | 8838K11 | MS14003-302 | 8838K911 |
| | ON | OFF | ON* | -312 | K3 | -312 | K93 |

* **Momentary contact.**
See page A75 for special circuit diagrams.
Note: Screw terminal version shown.

Series-8836-8838
& 8843-8845

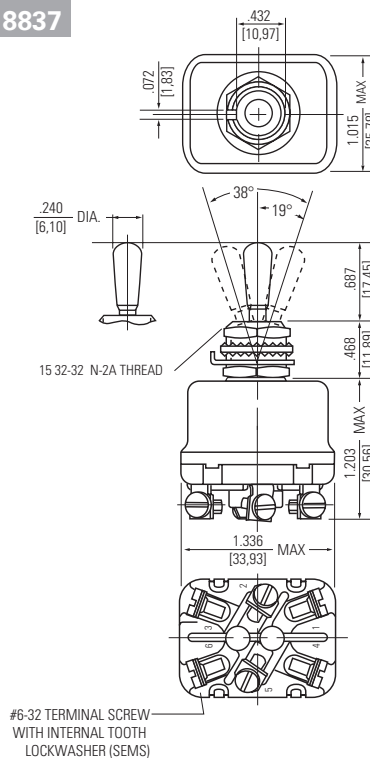
ENVIRONMENTALLY SEALED POSITIVE ACTION SWITCHES MIL-DTL-8834 Environmentally Sealed Positive Action Switches

MOUNTING DIMENSIONS - ONE POLE / 8836 SCREW TERMINALS



Terminal Identification

MOUNTING DIMENSIONS - TWO POLE / 8837 SCREW TERMINALS



Terminal Identification

| |
|-----------------|
| STANDARD |
| 0.00 = inches |
| [0,0] = mm |

Mounting dimensions for reference only.

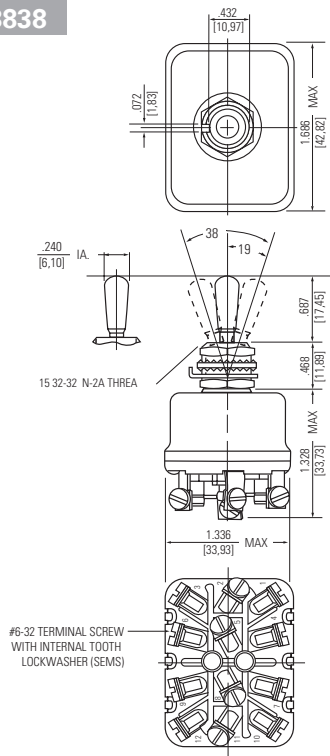
Non-functional terminals not supplied.

ENVIRONMENTALLY SEALED POSITIVE ACTION SWITCHES

Series-8836-8838
& 8843-8845

MIL-DTL-8834 Environmentally Sealed Positive Action Switches

MOUNTING DIMENSIONS - FOUR POLE / 8838 SCREW TERMINALS



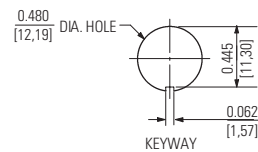
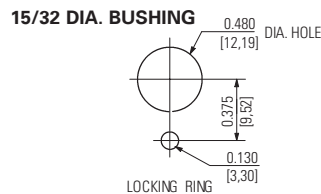
Terminal Identification

Non-functional terminals not supplied.

OPTIONS/ACCESSORIES

- Special mounting hardware
- Mounting hardware furnished assembled
- Panel seal, Part Number 32-341
- Terminal screws furnished assembled
- Terminal screws omitted
- Solder lug termination
- Substitute SEMS screws
- Special marking
- Special "3 Cateye" luminous lever attachment - 8836-8838 only
- Lever extensions and attachable tips (See Accessories and Custom Components section)
- Custom wiring harnesses

PANEL CUTOUT



STANDARD

0.00 = inches

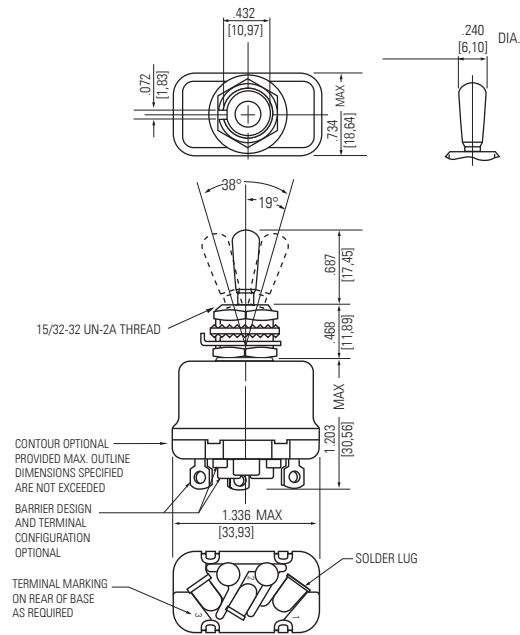
[0,0] = mm

Mounting dimensions for reference only.

Series-8836-8838
& 8843-8845

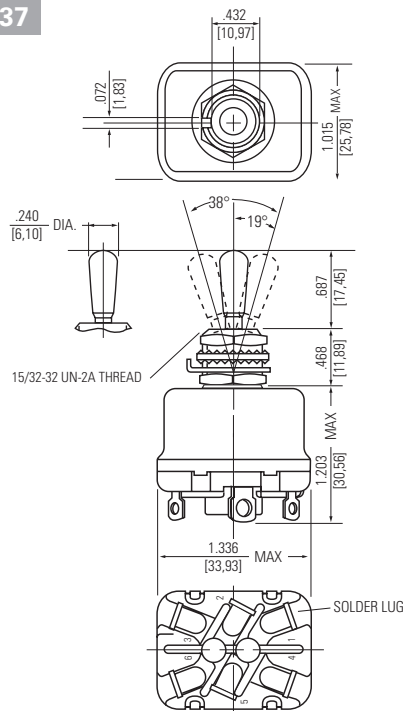
ENVIRONMENTALLY SEALED POSITIVE ACTION SWITCHES MIL-DTL-8834 Environmentally Sealed Positive Action Switches

MOUNTING DIMENSIONS - ONE POLE / 8836 SOLDER LUG TERMINALS



Terminal Identification

MOUNTING DIMENSIONS - TWO POLE / 8837 SOLDER LUG TERMINALS



Terminal Identification

| |
|-----------------|
| STANDARD |
| 0.00 = inches |
| [0,0] = mm |

Mounting dimensions for reference only.

Non-functional terminals not supplied.

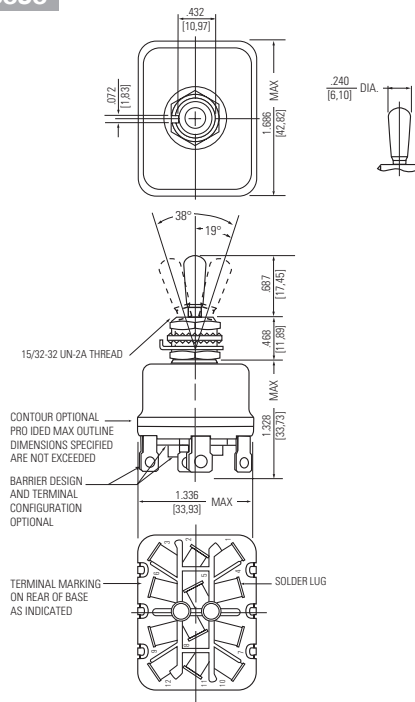
ENVIRONMENTALLY SEALED POSITIVE ACTION SWITCHES

Series-8836-8838

MIL-DTL-8834 Environmentally Sealed Positive Action Switches

& 8843-8845

MOUNTING DIMENSIONS - FOUR POLE/ 8838 SOLDER LUG TERMINALS



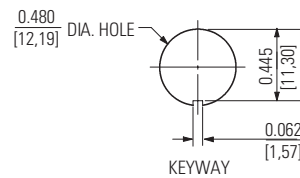
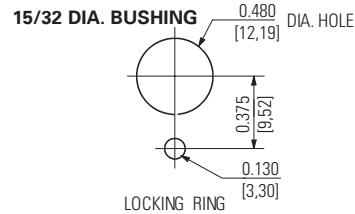
Terminal Identification

Non-functional terminals not supplied.

OPTIONS/ACCESSORIES

- Special mounting hardware
- Mounting hardware furnished assembled
- Panel seal, Part Number 32-341
- Terminal screws furnished assembled
- Terminal screws omitted
- Substitute sems screws
- Special marking
- Special "3 Cateye" luminous lever attachment - 8836-8838 only
- Lever extensions and attachable tips (See Accessories and Custom Components section)
- Custom wiring harnesses

PANEL CUTOUT DIMENSIONS



STANDARD
0.00 = inches
[0,0] = mm

Mounting dimensions for reference only.

Series-8836-8838
& 8843-8845

ENVIRONMENTALLY SEALED POSITIVE ACTION SWITCHES
MIL-DTL-8834 Environmentally Sealed Positive Action Switches
Lever Lock

SELECTION TABLE

| CIRCUIT WITH LEVER IN . . . | | | | | | |
|-----------------------------|-----------------|------------------------|----------------------------|----------------|----------------|--|
| Up Position | Center Position | Down Position (Keyway) | Lever ① Lock Bushing Style | MS Part Number | Catalog Number | |
| ONE POLE | | | | | | |
| ON → | ← OFF → | ← ON | A | MS24612-A212 | 8843K1 | |
| ON | ← OFF → | ON | B | -B212 | K2 | |
| ON | ← OFF → | NONE | B | -B242 | K16 | |
| ON | OFF | ← ON | C | -C212 | K3 | |
| ON | NONE | ← OFF | C | -C222 | K9 | |
| ON | NONE | ← ON | C | MS24612-C232 | 8843K7 | |
| ON | ← OFF → | ON | D | -D212 | K4 | |
| ON → | OFF | ← ON | E | -E212 | K5 | |
| ON → | NONE | ← OFF | E | -E222 | K10 | |
| ON → | NONE | ← ON | E | -E232 | K6 | |
| * ON | ← OFF → | ON* | F | MS24612-F272 | 8843K12 | |
| ON | OFF → | ON* | G | -G312 | K13 | |
| * ON | ← OFF → | ON* | H | -H272 | K14 | |
| ON → | ← OFF → | NONE | J | -J242 | K11 | |
| NONE | OFF → | ON* | K | -K282 | K15 | |
| ON | ← OFF → | ON* | K | MS24612-K312 | 8843K18 | |
| ON → | NONE | ON* | L | -L262 | K20 | |
| ON → | NONE | OFF* | L | -L292 | K21 | |
| OFF → | NONE | ON* | L | -L302 | K19 | |
| ON | ← OFF → | ON* | M | -M312 | K8 | |
| ON → | ← OFF → | ON* | N | -N312 | K17 | |
| TWO POLE | | | | | | |
| ON → | ← OFF → | ← ON | A | MS24613-A212 | 8844K1 | |
| ON | ← OFF → | ON | B | -B212 | K2 | |
| ON | ← OFF → | NONE | B | -B242 | K16 | |
| ON | OFF | ← ON | C | -C212 | K3 | |
| ON | NONE | ← OFF | C | -C222 | K9 | |
| ON | NONE | ← ON | C | MS24613-C232 | 8844K7 | |
| ON | ← OFF → | ON | D | -D212 | K4 | |
| ON → | OFF | ← ON | E | -E212 | K5 | |
| ON → | NONE | ← OFF | E | -E222 | K10 | |
| ON → | NONE | ← ON | E | -E232 | K6 | |
| * ON | ← OFF → | ON* | F | MS24613-F272 | 8844K12 | |
| ON | OFF → | ON* | G | -G312 | K13 | |
| * ON | ← OFF → | ON* | H | -H272 | K14 | |
| ON → | ← OFF → | NONE | J | -J242 | K11 | |
| NONE | OFF → | ON* | K | -K282 | K15 | |
| ON | ← OFF → | ON* | K | MS24613-K312 | 8844K18 | |
| ON → | NONE | ON* | L | -L262 | K20 | |
| ON → | NONE | OFF* | L | -L292 | K21 | |
| OFF → | NONE | ON* | L | -L302 | K19 | |
| ON | ← OFF → | ON* | M | -M312 | K8 | |
| ON → | ← OFF → | ON* | N | -N312 | K17 | |
| FOUR POLE | | | | | | |
| ON → | ← OFF → | ← ON | A | MS24614-A212 | 8845K1 | |
| ON | ← OFF → | ON | B | -B212 | K2 | |
| ON | ← OFF → | NONE | B | -B242 | K16 | |
| ON | OFF | ← ON | C | -C212 | K3 | |
| ON | NONE | ← OFF | C | -C222 | K9 | |
| ON | NONE | ← ON | C | MS24614-C232 | 8845K7 | |
| ON | ← OFF → | ON | D | -D212 | K4 | |
| ON → | OFF | ← ON | E | -E212 | K5 | |
| ON → | NONE | ← OFF | E | -E222 | K10 | |
| ON → | NONE | ← ON | E | -E232 | K6 | |
| * ON | ← OFF → | ON* | F | MS24614-F272 | 8845K12 | |
| ON | OFF → | ON* | G | -G312 | K13 | |
| * ON | ← OFF → | ON* | H | -H272 | K14 | |
| ON → | ← OFF → | NONE | J | -J242 | K11 | |
| NONE | OFF → | ON* | K | -K282 | K15 | |
| ON | ← OFF → | ON* | K | MS24614-K312 | 8845K18 | |
| ON → | NONE | ON* | L | -L262 | K20 | |
| ON → | NONE | OFF* | L | -L292 | K21 | |
| OFF → | NONE | ON* | L | -L302 | K19 | |
| ON | ← OFF → | ON* | M | -M312 | K8 | |
| ON → | ← OFF → | ON* | N | -N312 | K17 | |

8843



8844



8845



* Momentary contact.

→ Indicates direction against which lever is locked.

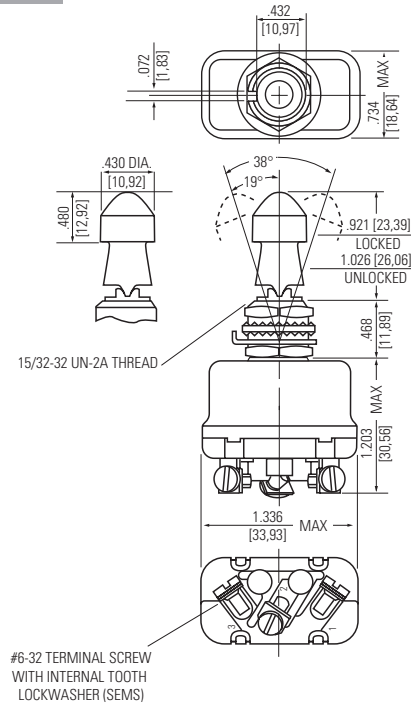
① Reference bushing styles on page A45.

ENVIRONMENTALLY SEALED POSITIVE ACTION SWITCHES

Series-8836-8838
& 8843-8845

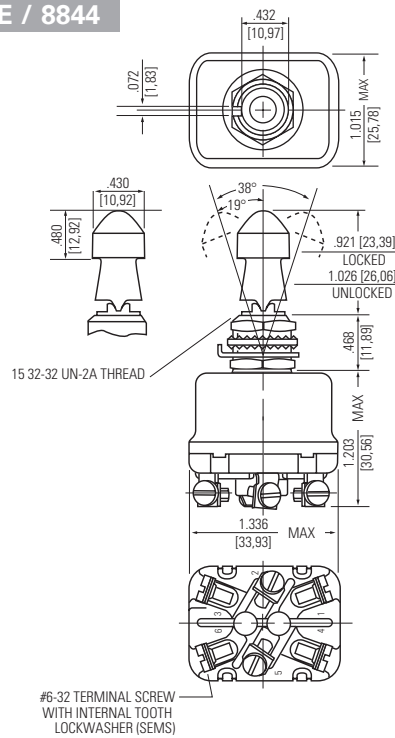
MIL-DTL-8834 Environmentally Sealed Positive Action Switches
Lever Lock

MOUNTING DIMENSIONS - ONE POLE / 8843



Terminal Identification

MOUNTING DIMENSIONS - TWO POLE / 8844



Terminal Identification

| |
|-----------------|
| STANDARD |
| 0.00 = inches |
| [0,0] = mm |

Mounting dimensions for reference only.

Non-functional terminals not supplied.

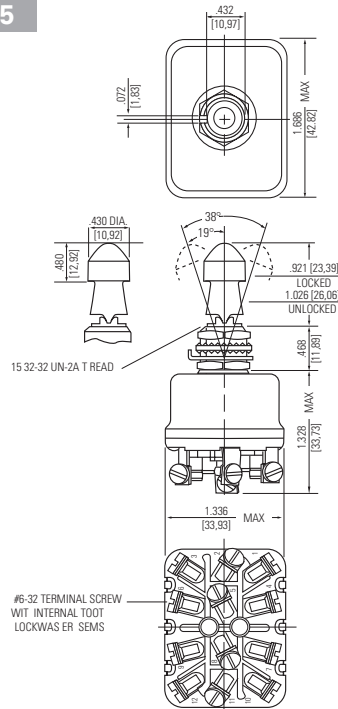
Series-8836-8838
& 8843-8845

ENVIRONMENTALLY SEALED POSITIVE ACTION SWITCHES

MIL-DTL-8834 Environmentally Sealed Positive Action Switches

Lever Lock

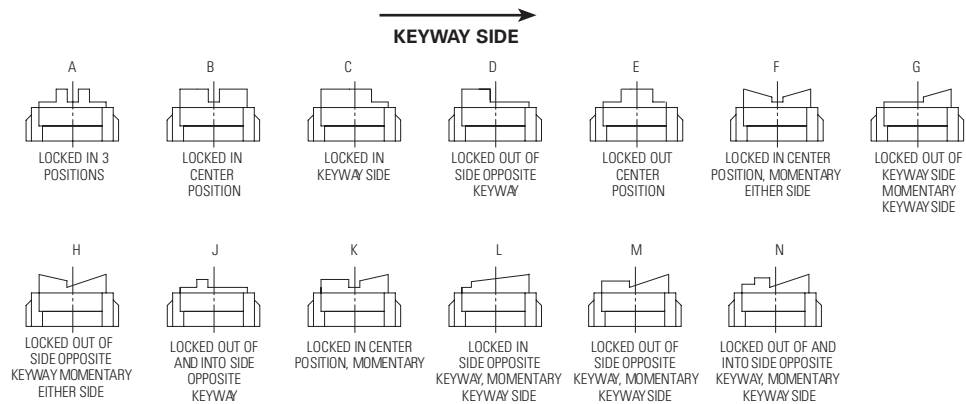
MOUNTING DIMENSIONS - FOUR POLE/ 8845



Terminal Identification

Non-functional terminals not supplied.

LEVER LOCK - BUSHING STYLES



Figures A thru N do not represent details of construction. They schematically illustrate locking function.

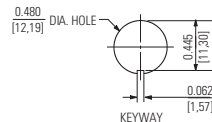
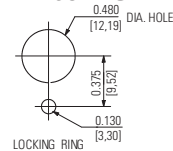
OPTIONS/ACCESSORIES

- Special mounting hardware
- Mounting hardware furnished assembled
- Panel seal, Part Number 32-341
- Terminal screws furnished assembled
- Terminal screws omitted
- Solder lug termination

- Substitute sems screws
- Special marking
- Special "3 Cateye" luminous lever attachment - 8836-8838 only
- Lever extensions and attachable tips (See Accessories and Custom Components section)
- Custom wiring harnesses

PANEL CUTOUT DIMENSIONS

15/32 DIA. BUSHING



STANDARD
0.00 = inches
[0,0] = mm

Mounting dimensions for reference only.



SAFRAN ELECTRICAL & POWER A45