

# ENVIRONMENTALLY SEALED POSITIVE ACTION SWITCHES







Series-8836-8838  
& 8843-8845

MIL-DTL-8834 Environmentally Sealed Positive Action Switches

FEATURES		SPECIFICATIONS		CURRENT RATINGS								
<ul style="list-style-type: none"> <li>Environmentally sealed</li> <li>High electrical/ mechanical reliability</li> <li>Non-teasible mechanism</li> <li>Wiping action contacts</li> <li>Positive make and break action</li> <li>Molded-in terminal numbers</li> <li>One hole mounting for easy installation</li> <li>Terminal variations</li> <li>Toggle and lever lock Actuator</li> <li>Dry circuit (logic level loads) to power switching levels</li> <li>Solderable screw terminals</li> <li>1, 2 and 4 pole circuitry</li> </ul>	<ul style="list-style-type: none"> <li>Environmentally sealed per MIL-DTL-8834</li> <li>MS approved and QPL'd per MIL-DTL-8834</li> <li>Two terminal variations                             <ul style="list-style-type: none"> <li>- Screw 6-32 UNC-2B threads</li> <li>- Solder Lug .125 [3,17] dia. hole</li> </ul> </li> <li>Temperature range: -67°F to +160°F (-55°C to +71°C)</li> <li>Life: 20,000 cycles at rated load 40,000 cycles mechanical life</li> <li>Positive action mechanism for high reliability and low contact bounce</li> </ul>	28VDC (Amperes per pole)			115VAC 400Hz			115VAC 60Hz				
		No. of Poles	Catalog Number	Type of Operation	Lamp Load	Resistive Load	Inductive Load	Lamp Load	Resistive Load	Inductive Load	Lamp Load	Resistive Load
1	8836 & 8843	Maintained & Momentary	7	25	15	7	25	15	7	20	15	
2	8837 & 8844	Maintained & Momentary	7	25	15	7	25	15	7	20	15	
4	8838 & 8845	Maintained & Momentary	7	25	15	7	25	15	7	20	15	

Minimum Rating: 10 milliamperes at 30 millivolts.

## LEVER LOCK SELECTION TABLE

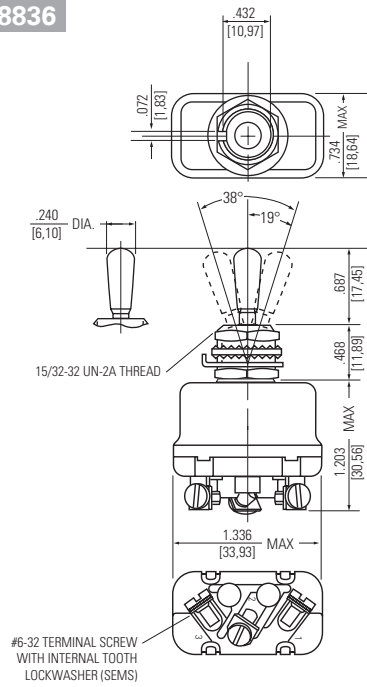
		CIRCUIT WITH LEVER IN . . .			CATALOG NUMBER			
		Up Position	Center Position	Down Position (Keyway)	Screw Terminal		Solder Lug	
					MS Part Number	Catalog Number	MS Part Number	Catalog Number
<b>8836</b>		<b>ONE POLE</b>						
		ON	OFF	ON	MS25306-212	8836K1	MS14001-212	8836K91
		ON	NONE	OFF	-222	K9	-222	K99
		ON	NONE	ON	-232	K4	-232	K94
		ON	OFF	NONE	-242	K6	-242	K96
		ON	NONE	ON*	MS25306-262	8836K5	MS14001-262	8836K95
		* ON	OFF	ON*	-272	K2	-272	K92
		NONE	OFF	ON*	-282	K7	-282	K97
		ON	NONE	OFF*	-292	K10	-292	K910
		OFF	NONE	ON*	MS25306-302	8836K11	MS14001-302	8836K911
ON	OFF	ON*	-312	K13	-312	K93		
<b>8837</b>		<b>TWO POLE</b>						
		ON	OFF	ON	MS25307-212	8837K1	MS14002-212	8837K91
		ON	NONE	OFF	-222	K9	-222	K99
		ON	NONE	ON	-232	K4	-232	K94
		ON	OFF	NONE	-242	K6	-242	K96
		ON	NONE	ON*	MS25307-262	8837K5	MS14002-262	8837K95
		* ON	OFF	ON*	-272	K2	-272	K92
		NONE	OFF	ON*	-282	K7	-282	K97
		ON	NONE	OFF*	-292	K10	-292	K910
		OFF	NONE	ON*	MS25307-302	8837K11	MS14002-302	8837K911
ON	OFF	ON*	-312	K3	-312	K93		
<b>8838</b>		<b>FOUR POLE</b>						
		ON	OFF	ON	MS25308-212	8838K1	MS14003-212	8838K91
		ON	NONE	OFF	-222	K9	-222	K99
		ON	NONE	ON	-232	K4	-232	K94
		ON	OFF	NONE	-242	K6	-242	K96
		ON	NONE	ON*	MS25308-262	8838K5	MS14003-262	8838K95
		* ON	OFF	ON*	-272	K2	-272	K92
		NONE	OFF	ON*	-282	K7	-282	K97
		ON	NONE	OFF*	-292	K10	-292	K910
		OFF	NONE	ON*	MS25308-302	8838K11	MS14003-302	8838K911
ON	OFF	ON*	-312	K3	-312	K93		

\* **Momentary contact.**  
See page A75 for special circuit diagrams.  
Note: Screw terminal version shown.

Series-8836-8838  
& 8843-8845

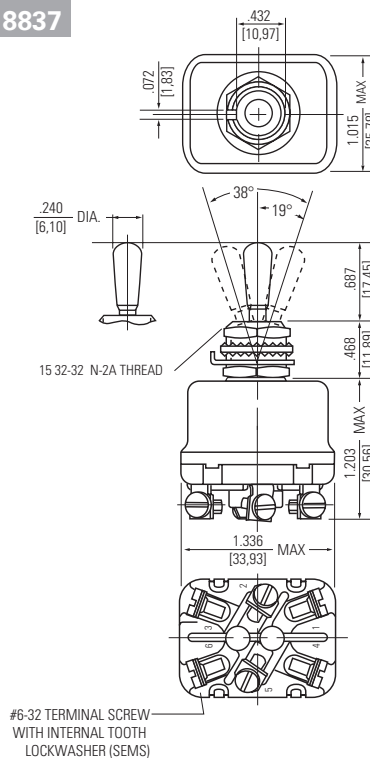
# ENVIRONMENTALLY SEALED POSITIVE ACTION SWITCHES MIL-DTL-8834 Environmentally Sealed Positive Action Switches

## MOUNTING DIMENSIONS - ONE POLE / 8836 SCREW TERMINALS



### Terminal Identification

## MOUNTING DIMENSIONS - TWO POLE / 8837 SCREW TERMINALS



### Terminal Identification

<b>STANDARD</b>
0.00 = inches
[0,0] = mm

Mounting dimensions for reference only.

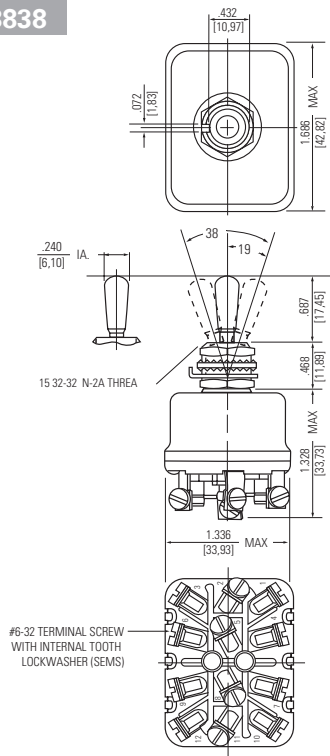
Non-functional terminals not supplied.

# ENVIRONMENTALLY SEALED POSITIVE ACTION SWITCHES

Series-8836-8838  
& 8843-8845

MIL-DTL-8834 Environmentally Sealed Positive Action Switches

## MOUNTING DIMENSIONS - FOUR POLE / 8838 SCREW TERMINALS



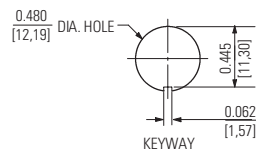
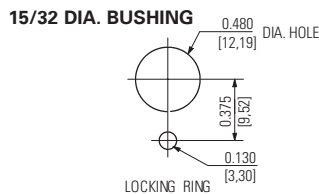
### Terminal Identification

Non-functional terminals not supplied.

## OPTIONS/ACCESSORIES

- Special mounting hardware
- Mounting hardware furnished assembled
- Panel seal, Part Number 32-341
- Terminal screws furnished assembled
- Terminal screws omitted
- Solder lug termination
- Substitute SEMS screws
- Special marking
- Special "3 Cateye" luminous lever attachment - 8836-8838 only
- Lever extensions and attachable tips (See Accessories and Custom Components section)
- Custom wiring harnesses

## PANEL CUTOUT



### STANDARD

0.00 = inches

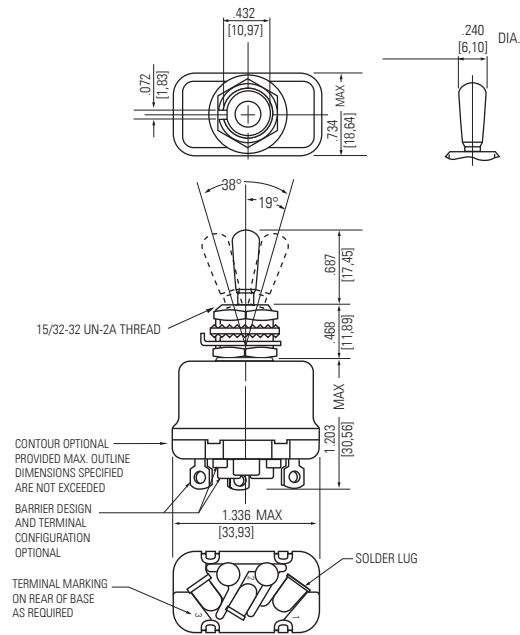
[0,0] = mm

Mounting dimensions for reference only.

Series-8836-8838  
& 8843-8845

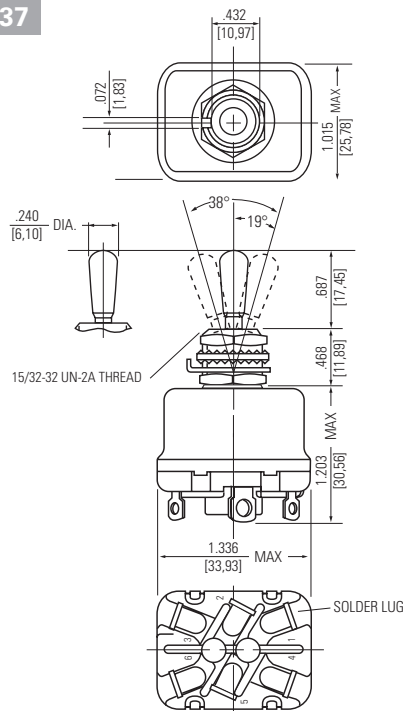
# ENVIRONMENTALLY SEALED POSITIVE ACTION SWITCHES MIL-DTL-8834 Environmentally Sealed Positive Action Switches

## MOUNTING DIMENSIONS - ONE POLE / 8836 SOLDER LUG TERMINALS



**Terminal Identification**

## MOUNTING DIMENSIONS - TWO POLE / 8837 SOLDER LUG TERMINALS



**Terminal Identification**

<b>STANDARD</b>
0.00 = inches
[0,0] = mm

Mounting dimensions for reference only.

Non-functional terminals not supplied.

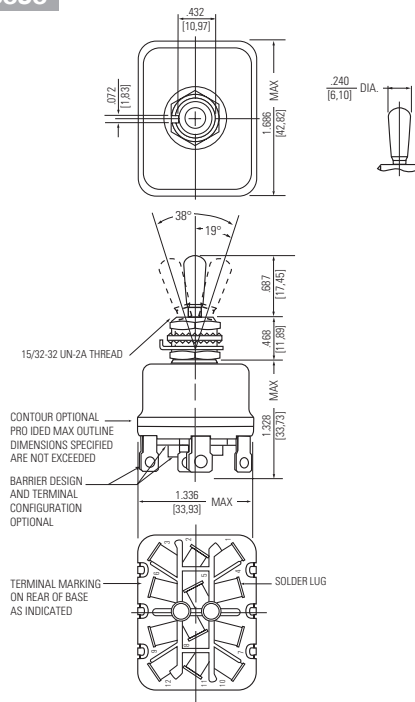
# ENVIRONMENTALLY SEALED POSITIVE ACTION SWITCHES

Series-8836-8838

MIL-DTL-8834 Environmentally Sealed Positive Action Switches

& 8843-8845

## MOUNTING DIMENSIONS - FOUR POLE/ 8838 SOLDER LUG TERMINALS



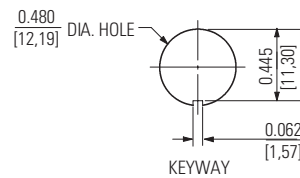
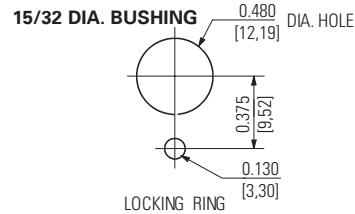
### Terminal Identification

Non-functional terminals not supplied.

## OPTIONS/ACCESSORIES

- Special mounting hardware
- Mounting hardware furnished assembled
- Panel seal, Part Number 32-341
- Terminal screws furnished assembled
- Terminal screws omitted
- Substitute sems screws
- Special marking
- Special "3 Cateye" luminous lever attachment - 8836-8838 only
- Lever extensions and attachable tips (See Accessories and Custom Components section)
- Custom wiring harnesses

## PANEL CUTOUT DIMENSIONS



**STANDARD**  
0.00 = inches  
[0,0] = mm

Mounting dimensions for reference only.

Series-8836-8838  
& 8843-8845

ENVIRONMENTALLY SEALED POSITIVE ACTION SWITCHES  
MIL-DTL-8834 Environmentally Sealed Positive Action Switches  
Lever Lock

SELECTION TABLE

CIRCUIT WITH LEVER IN . . .						
Up Position	Center Position	Down Position (Keyway)	Lever ① Lock Bushing Style	MS Part Number	Catalog Number	
<b>ONE POLE</b>						
ON →	← OFF →	← ON	A	MS24612-A212	8843K1	
ON	← OFF →	ON	B	-B212	K2	
ON	← OFF →	NONE	B	-B242	K16	
ON	OFF	← ON	C	-C212	K3	
ON	NONE	← OFF	C	-C222	K9	
ON	NONE	← ON	C	MS24612-C232	8843K7	
ON	← OFF →	ON	D	-D212	K4	
ON →	OFF	← ON	E	-E212	K5	
ON →	NONE	← OFF	E	-E222	K10	
ON →	NONE	← ON	E	-E232	K6	
* ON	← OFF →	ON*	F	MS24612-F272	8843K12	
ON	OFF →	ON*	G	-G312	K13	
* ON	← OFF →	ON*	H	-H272	K14	
ON →	← OFF →	NONE	J	-J242	K11	
NONE	OFF →	ON*	K	-K282	K15	
ON	← OFF →	ON*	K	MS24612-K312	8843K18	
ON →	NONE	ON*	L	-L262	K20	
ON →	NONE	OFF*	L	-L292	K21	
OFF →	NONE	ON*	L	-L302	K19	
ON	← OFF →	ON*	M	-M312	K8	
ON →	← OFF →	ON*	N	-N312	K17	
<b>TWO POLE</b>						
ON →	← OFF →	← ON	A	MS24613-A212	8844K1	
ON	← OFF →	ON	B	-B212	K2	
ON	← OFF →	NONE	B	-B242	K16	
ON	OFF	← ON	C	-C212	K3	
ON	NONE	← OFF	C	-C222	K9	
ON	NONE	← ON	C	MS24613-C232	8844K7	
ON	← OFF →	ON	D	-D212	K4	
ON →	OFF	← ON	E	-E212	K5	
ON →	NONE	← OFF	E	-E222	K10	
ON →	NONE	← ON	E	-E232	K6	
* ON	← OFF →	ON*	F	MS24613-F272	8844K12	
ON	OFF →	ON*	G	-G312	K13	
* ON	← OFF →	ON*	H	-H272	K14	
ON →	← OFF →	NONE	J	-J242	K11	
NONE	OFF →	ON*	K	-K282	K15	
ON	← OFF →	ON*	K	MS24613-K312	8844K18	
ON →	NONE	ON*	L	-L262	K20	
ON →	NONE	OFF*	L	-L292	K21	
OFF →	NONE	ON*	L	-L302	K19	
ON	← OFF →	ON*	M	-M312	K8	
ON →	← OFF →	ON*	N	-N312	K17	
<b>FOUR POLE</b>						
ON →	← OFF →	← ON	A	MS24614-A212	8845K1	
ON	← OFF →	ON	B	-B212	K2	
ON	← OFF →	NONE	B	-B242	K16	
ON	OFF	← ON	C	-C212	K3	
ON	NONE	← OFF	C	-C222	K9	
ON	NONE	← ON	C	MS24614-C232	8845K7	
ON	← OFF →	ON	D	-D212	K4	
ON →	OFF	← ON	E	-E212	K5	
ON →	NONE	← OFF	E	-E222	K10	
ON →	NONE	← ON	E	-E232	K6	
* ON	← OFF →	ON*	F	MS24614-F272	8845K12	
ON	OFF →	ON*	G	-G312	K13	
* ON	← OFF →	ON*	H	-H272	K14	
ON →	← OFF →	NONE	J	-J242	K11	
NONE	OFF →	ON*	K	-K282	K15	
ON	← OFF →	ON*	K	MS24614-K312	8845K18	
ON →	NONE	ON*	L	-L262	K20	
ON →	NONE	OFF*	L	-L292	K21	
OFF →	NONE	ON*	L	-L302	K19	
ON	← OFF →	ON*	M	-M312	K8	
ON →	← OFF →	ON*	N	-N312	K17	

8843



8844



8845



\* Momentary contact.

→ Indicates direction against which lever is locked.

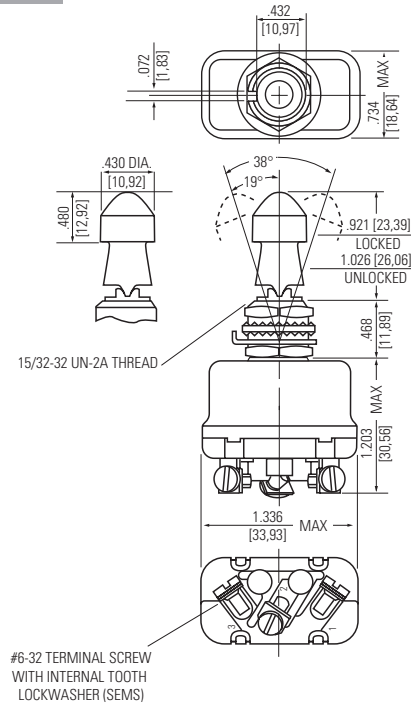
① Reference bushing styles on page A45.

# ENVIRONMENTALLY SEALED POSITIVE ACTION SWITCHES

Series-8836-8838  
& 8843-8845

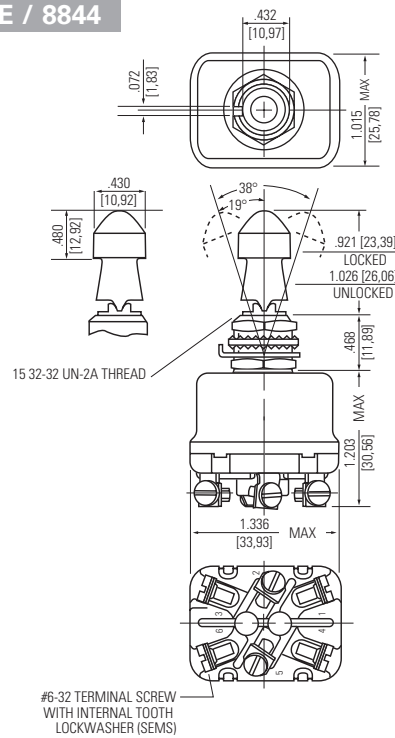
MIL-DTL-8834 Environmentally Sealed Positive Action Switches  
Lever Lock

## MOUNTING DIMENSIONS - ONE POLE / 8843



### Terminal Identification

## MOUNTING DIMENSIONS - TWO POLE / 8844



### Terminal Identification

<b>STANDARD</b>
0.00 = inches
[0,0] = mm

Mounting dimensions for reference only.

Non-functional terminals not supplied.

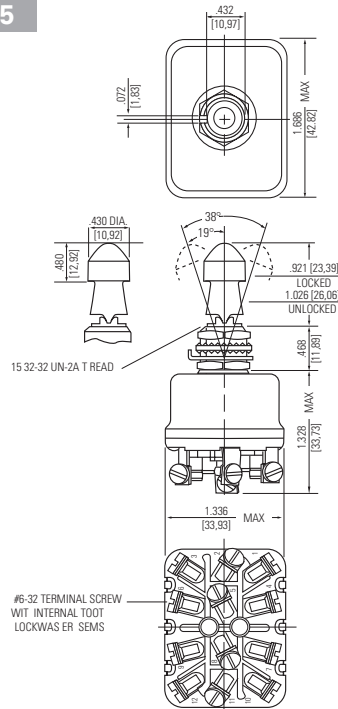
Series-8836-8838  
& 8843-8845

# ENVIRONMENTALLY SEALED POSITIVE ACTION SWITCHES

## MIL-DTL-8834 Environmentally Sealed Positive Action Switches

### Lever Lock

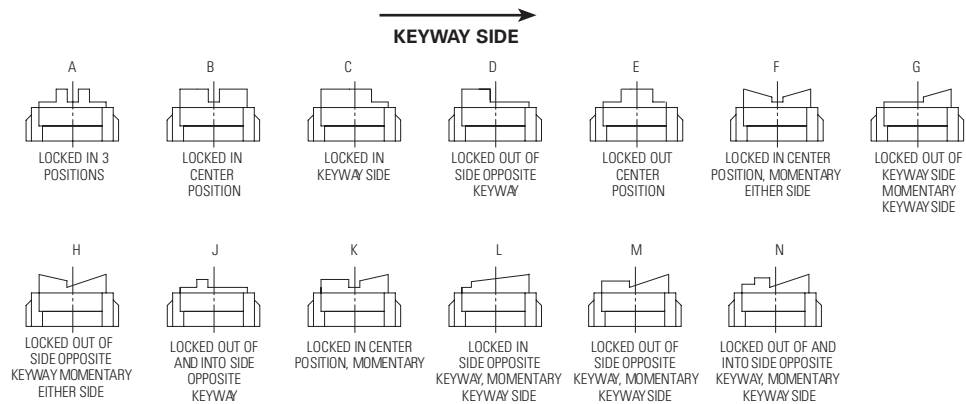
#### MOUNTING DIMENSIONS - FOUR POLE/ 8845



#### Terminal Identification

Non-functional terminals not supplied.

#### LEVER LOCK - BUSHING STYLES



Figures A thru N do not represent details of construction. They schematically illustrate locking function.

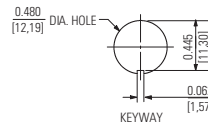
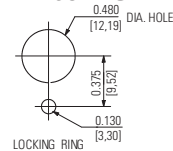
#### OPTIONS/ACCESSORIES

- Special mounting hardware
- Mounting hardware furnished assembled
- Panel seal, Part Number 32-341
- Terminal screws furnished assembled
- Terminal screws omitted
- Solder lug termination

- Substitute sems screws
- Special marking
- Special "3 Cateye" luminous lever attachment - 8836-8838 only
- Lever extensions and attachable tips (See Accessories and Custom Components section)
- Custom wiring harnesses

#### PANEL CUTOUT DIMENSIONS

##### 15/32 DIA. BUSHING



**STANDARD**  
0.00 = inches  
[0,0] = mm

Mounting dimensions for reference only.



SAFRAN ELECTRICAL & POWER A45