

ECONOSWITCH SEALED ROCKER SWITCHES

Econoswitch Sealed Rocker Switches

Series - 8554, 8555, 8556

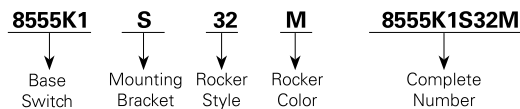
| FEATURES | | SPECIFICATIONS | | CURRENT RATINGS | | | | | | | | |
|--|--|--|--|-----------------|----------------|-------------------|-----------------------|----------------|-----------|----------------|----------------|-----------|
| <ul style="list-style-type: none"> Environmentally sealed 1, 2 and 4 pole circuitry 2 & 3 position with maintained and momentary action Pinned rocker button Rocker button style and color variations Multi-circuits Thermoplastic rocker buttons in opaque colors (serrated and smooth face) Panel mounting variations <ul style="list-style-type: none"> Flush panel Sub-panel Snap-in | | <ul style="list-style-type: none"> Watertight per MIL-STD-108E and designed to meet IP68 UL recognized and CSA certified Temperature range: -50°F to +150°F (-46°C to +66°C) Life: 50,000 operations at rated load 100,000 operations mechanical life Three standard types of terminals <ul style="list-style-type: none"> Screw 6-32 UNC-2A Solder lug .125 [3,17] dia. hole Spade .250 [6,35] x .032 [0.82] thick | | 28VDC | | | 115VAC 60 or 400Hz | | | | | |
| | | | | No. of Poles | Catalog Number | Type of Operation | Resistive Load | Inductive Load | Lamp Load | Resistive Load | Inductive Load | Lamp Load |
| | | | | 1 | 8554 | Maintained | 20 | 15 | 5 | 15 | 10 | 3 |
| | | | | | | Momentary | 15 | 10 | 4 | 11 | 7 | 2 |
| | | | | 2 | 8555 | Maintained | 20 | 15 | 7 | 15 | 15 | 4 |
| | | | | | | Momentary | 18 | 10 | 5 | 11 | 8 | 2 |
| | | | | 4 | 8556 | Maintained | 20 | 12 | 5 | 15 | 15 | 4 |
| | | | | | | Momentary | 18 | 10 | 4 | 11 | 8 | 2 |

Note: See page C28 for UL and CSA current ratings.

WHEN ORDERING SPECIFY . . .

- Catalog number of base switch followed by suffix letters and numbers for mounting bracket, rocker color and style as listed in selection table.

Order Example:



One Pole
Snap-in Bezel
Mounting



Two Pole
Flush Panel
Mounting



Four Pole
Sub-Panel
Mounting

SELECTION TABLE

| CIRCUIT WITH LEVER IN . . . | | | BASE CATALOG NUMBER® | | | SUFFIX NUMBERS & LETTERS - ADD TO BASE CATALOG NUMBER | | | | | | |
|-----------------------------|-----------------|------------------------|----------------------|------------------|-----------------|---|----------------|-------------|--------------|----------|--------------|-------------|
| Up Position | Center Position | Down Position (Keyway) | Screw Terminals | Solder Terminals | Spade Terminals | MOUNTING BRACKET | | | ROCKER STYLE | | ROCKER COLOR | |
| | | | | | | Frame Style | Mounting Holes | Code Letter | Style | Code No. | Color | Code Letter |
| One Pole | | | | | | | | | | | | |
| ON | OFF | ON | 8554K1 | 8554K91 | 8554K31 | | | | | | | |
| ON | NONE | OFF | K9 | K99 | K39 | | | | | | | |
| ON | NONE | ON | K4 | K94 | K34 | | | | | | | |
| ON | OFF | NONE | K6 | K96 | K36 | | | | | | | |
| ON | NONE | ON* | K5 | K95 | K35 | Sub-Panel Mounting-Clearance Holes | 0.152 | R | | | | |
| * ON | OFF | ON* | K2 | K92 | K32 | | | | | | | |
| NONE | OFF | ON* | K7 | K97 | K37 | | | | | | | |
| ON | NONE | OFF* | K10 | K910 | K310 | | | | | | | |
| OFF | NONE | ON* | K11 | K911 | K311 | | | | | | | |
| ON | OFF | ON* | K3 | K93 | K33 | Sub-Panel Mounting-Tapped Holes | 6-32 UNC-2B | W | Serrated | 32 | White | M |
| * ON | ON | NONE | K12 | K912 | K312 | | | | | | | |
| ON | ON | NONE | K13 | K913 | K313 | | | | | | | |
| Two Pole | | | | | | | | | | | | |
| ON | OFF | ON | 8555K1 | 8555K91 | 8555K31 | Flush Panel Mounting-Clearance Holes | 0.152 | S | | | Black | V |
| ON | NONE | OFF | K9 | K99 | K39 | | | | | | | |
| ON | NONE | ON | K4 | K94 | K34 | | | | | | | |
| ON | OFF | NONE | K6 | K96 | K36 | | | | | | | |
| ON | NONE | ON* | K5 | K95 | K35 | | | | | | | |
| * ON | OFF | ON* | K2 | K92 | K32 | Flush Panel Mounting-Tapped Holes | 6-32 UNC-2B | T | Smooth | 33 | Red | T |
| NONE | OFF | ON* | K7 | K97 | K37 | | | | | | | |
| ON | NONE | OFF* | K10 | K910 | K310 | | | | | | | |
| OFF | NONE | ON* | K11 | K911 | K311 | | | | | | | |
| ON | OFF | ON* | K3 | K93 | K33 | | | | | | | |
| * ON | ON | NONE | K12 | K912 | K312 | | | | | | | |
| ON | ON | NONE | K13 | K913 | K313 | Snap-in Bezel Mounting | --- | X | | | | |
| ON | ON | ON | K14 | K914 | K314 | | | | | | | |
| ON | ON | ON* | K15 | K915 | K315 | | | | | | | |
| * ON | ON | ON* | K16 | K916 | K316 | | | | | | | |
| ON | ON | ON | K17 | K917 | K317 | | | | | | | |
| ON | ON | ON* | K18 | K918 | K318 | | | | | | | |
| * ON | ON | ON* | K19 | K919 | K319 | | | | | | | |

* Momentary Contact.






SAFRAN ELECTRICAL & POWER C13

ECONOSWITCH SEALED ROCKER SWITCHES

Series - 8554, 8555, 8556

Econoswitch Sealed Rocker Switches

SELECTION TABLE

| CIRCUIT WITH LEVER IN . . . | | | BASE CATALOG NUMBER [Ⓞ] | | | SUFFIX NUMBERS & LETTERS - ADD TO BASE CATALOG NUMBER | | | | | | |
|---|---|---|----------------------------------|------------------|-----------------|---|----------------|-------------|--------------|----------|--------------|-------------|
| Up Position | Center Position | Down Position (Keyway) | Screw Terminals | Solder Terminals | Spade Terminals | MOUNTING BRACKET | | | ROCKER STYLE | | ROCKER COLOR | |
|  |  |  | | | | Style | Mounting Holes | Code Letter | Style | Code No. | Color | Code Letter |
| Four Pole | | | | | | | | | | | | |
| ON | OFF | ON | 8556K1 | 8556K91 | 8556K31 | Sub-Panel | | | | | | |
| ON | NONE | OFF | K9 | K99 | K39 | Mounting- | 0.152 | R | | | | |
| ON | NONE | ON | K4 | K94 | K34 | Clearance | | | | | | |
| ON | OFF | NONE | K6 | K96 | K36 | Holes | | | | | White | M |
| ON | NONE | ON* | K5 | K95 | K35 | | | | | | | |
| * ON | OFF | ON* | K2 | K92 | K32 | Sub-Panel | | | | | | |
| NONE | OFF | ON* | K7 | K97 | K37 | Mounting- | 6-32 | W | Serrated | 32 | | |
| ON | NONE | OFF* | K10 | K910 | K310 | Tapped Holes | UNC-2B | | | | | |
| OFF | NONE | ON* | K11 | K911 | K311 | | | | | | | |
| ON | OFF | ON* | K3 | K93 | K33 | Flush Panel | | | | | | |
| * ON | ON | NONE | K12 | K912 | K312 | Mounting- | | | | | Black | V |
| ON | ON | NONE | K13 | K913 | K313 | Clearance | 0.152 | | | | | |
| ON | ON | ON | K15 | K915 | K315 | Holes | | S | | | | |
| ON | ON | ON* | K16 | K916 | K316 | | | | | | | |
| * ON | ON | ON* | K17 | K917 | K317 | Flush Panel | | | Smooth | 33 | | |
| | | | | | | Mounting- | 6-32 | | | | Red | T |
| | | | | | | Tapped Holes | UNC-2B | T | | | | |
| | | | | | | Snap-in Bezel | | | | | | |
| | | | | | | Mounting | — | X | | | | |

*** Momentary contact.**

See pages C26-C27 and C29-C31 for circuit diagrams.

Ⓞ Incomplete Catalog Number - add suffix letters and numbers for Mounting Bracket, Rocker Style and Rocker Color - see "When Ordering Specify."

| |
|-----------------|
| STANDARD |
| 0.00 = inches |
| [0,0] = mm |

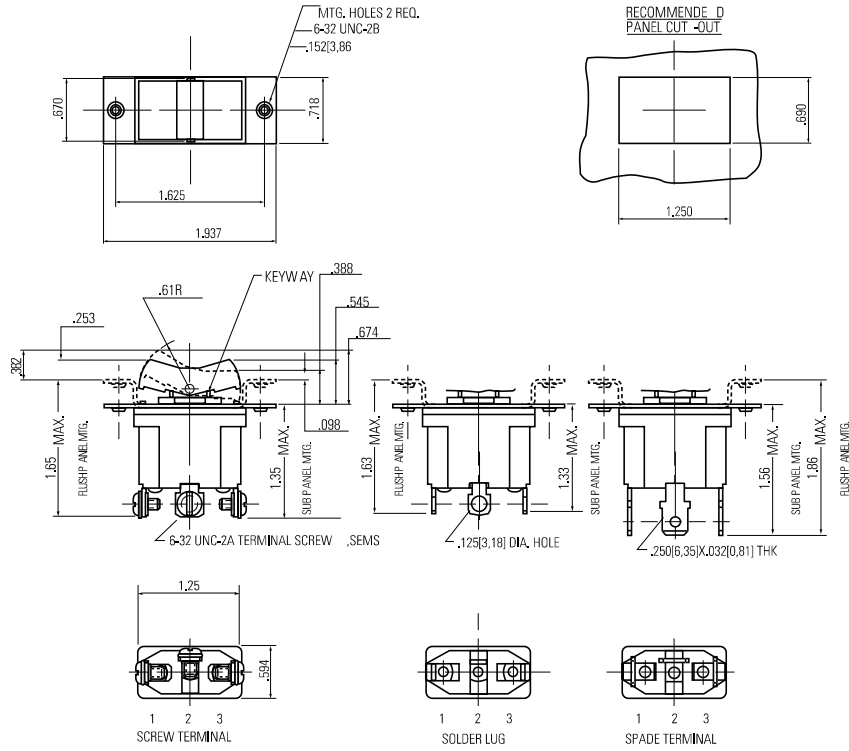
Dimensions for reference only.

ECONOSWITCH SEALED ROCKER SWITCHES

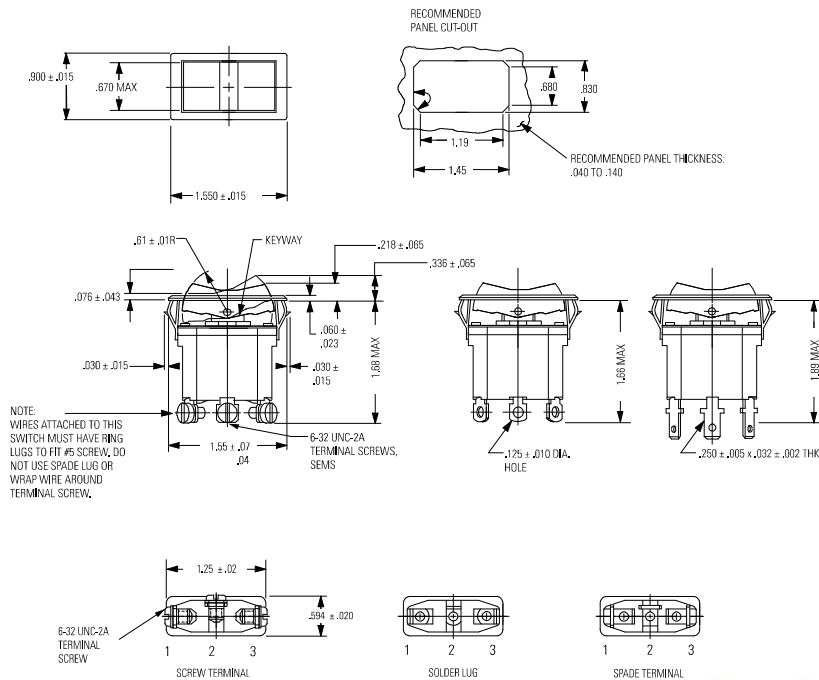
Econoswitch Sealed Rocker Switches

Series - 8554, 8555, 8556

MOUNTING DIMENSIONS - ONE POLE / 8554



MOUNTING DIMENSIONS - SNAP-IN BEZEL ONE POLE / 8554

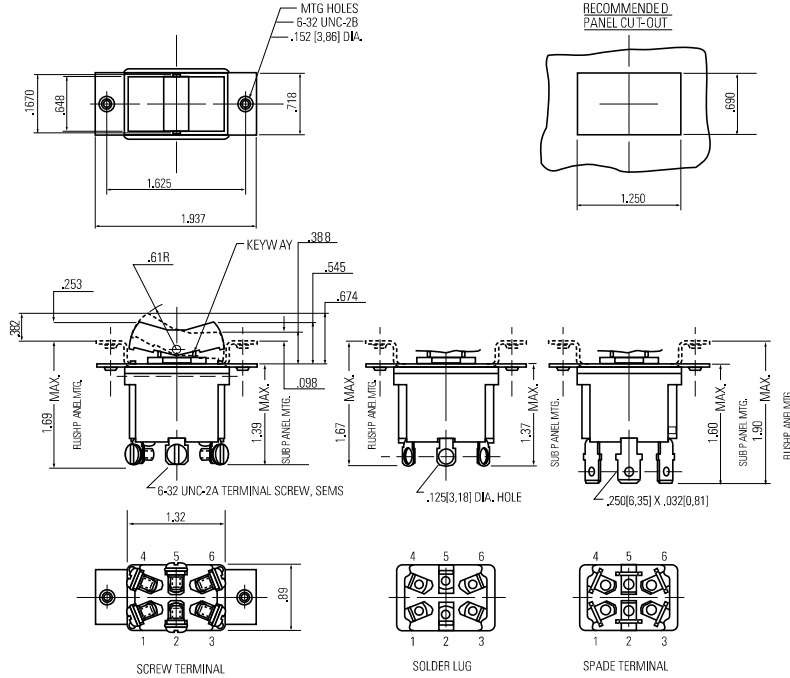


ECONOSWITCH SEALED ROCKER SWITCHES

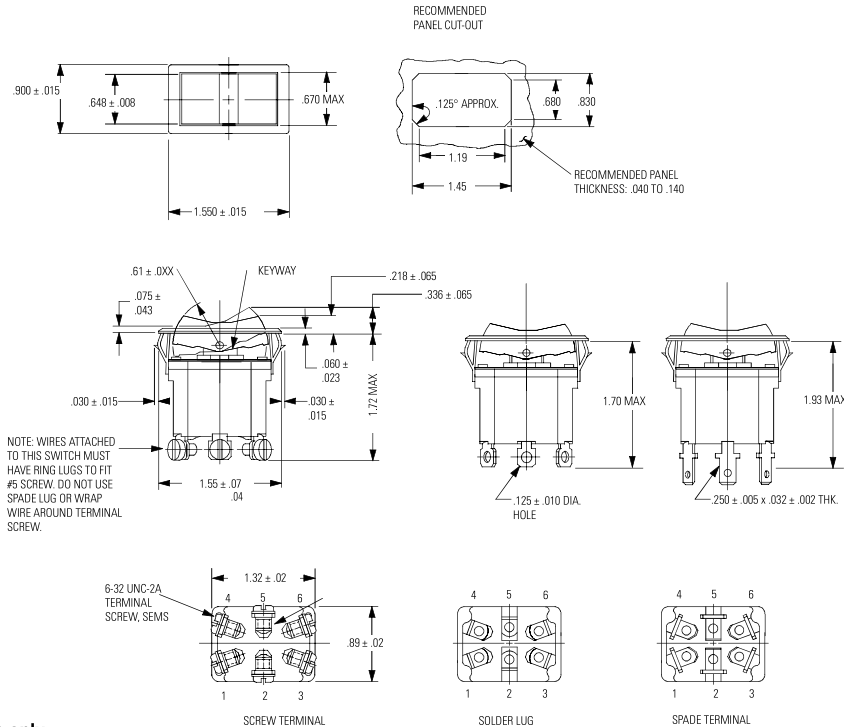
Series - 8554, 8555, 8556

Econoswitch Sealed Rocker Switches

MOUNTING DIMENSIONS - TWO POLE / 8555



MOUNTING DIMENSIONS - SNAP-IN BEZEL TWO POLE / 8555



STANDARD
0.00 = inches
[0,0] = mm

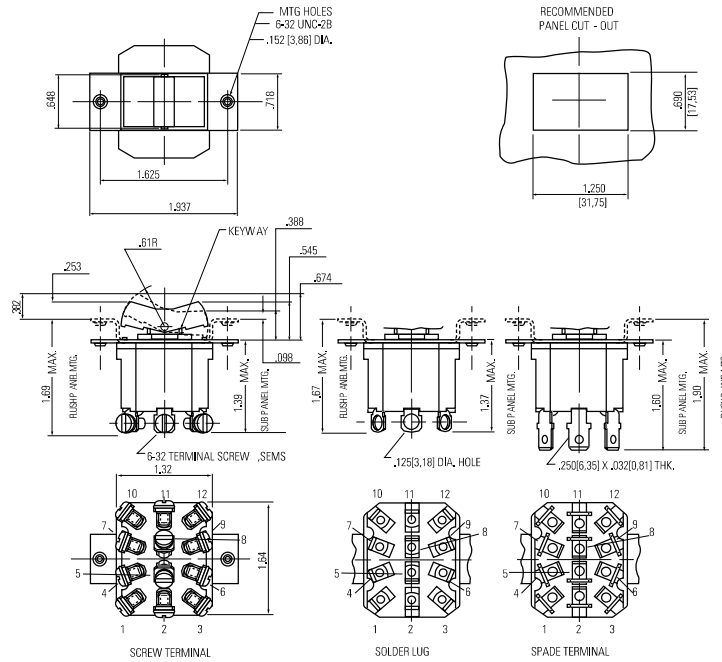
Dimensions for reference only.

ECONOSWITCH SEALED ROCKER SWITCHES

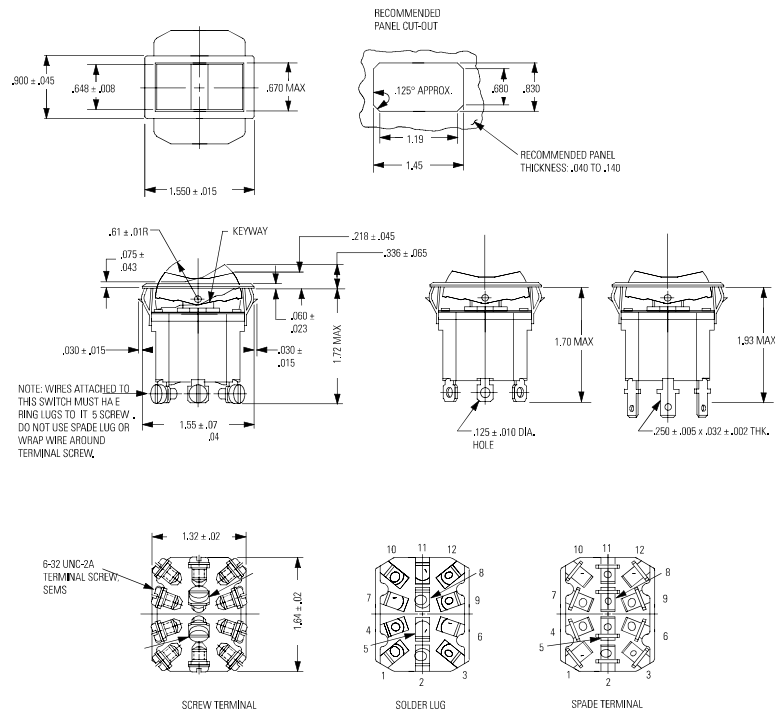
Econoswitch Sealed Rocker Switches

Series - 8554, 8555, 8556

MOUNTING DIMENSIONS - FOUR POLE / 8556



MOUNTING DIMENSIONS - SNAP-IN BEZEL FOUR POLE / 8556



STANDARD
0.00 = inches
[0,0] = mm

Dimensions for reference only.

ECONOSWITCH SEALED ROCKER SWITCHES

Series - 8554, 8555, 8556

Econoswitch Sealed Rocker Switches

OPTIONS/ACCESSORIES

- Special color rockers
- Hot stamped lettering on rockers - smooth rockers only
- Special plated bezels
- Special marking on switches
- Optional Actuator
- Gold plated contacts