

# Series - 8554, 8555, 8556

# ECONOSWITCH SEALED ROCKER SWITCHES Econoswitch Sealed Rocker Switches

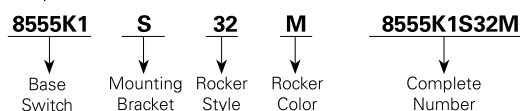
FEATURES		SPECIFICATIONS		CURRENT RATINGS						
<ul style="list-style-type: none"> <li>Environmentally sealed</li> <li>1, 2 and 4 pole circuitry</li> <li>2 &amp; 3 position with maintained and momentary action</li> <li>Pinned rocker button</li> <li>Rocker button style and color variations</li> <li>Multi-circuits</li> <li>Thermoplastic rocker buttons in opaque colors (serrated and smooth face)</li> <li>Panel mounting variations                             <ul style="list-style-type: none"> <li>Flush panel</li> <li>Sub-panel</li> <li>Snap-in</li> </ul> </li> </ul>	<ul style="list-style-type: none"> <li>Watertight per MIL-STD-108E and designed to meet IP68</li> <li>UL recognized and CSA certified</li> <li>Temperature range: -50°F to +150°F (-46°C to + 66°C)</li> <li>Life: 50,000 operations at rated load 100,000 operations mechanical life</li> <li>Three standard types of terminals                             <ul style="list-style-type: none"> <li>Screw 6-32 UNC-2A</li> <li>Solder lug .125 [3,17] dia. hole</li> <li>Spade .250 [6,35] x .032 [0.82] thick</li> </ul> </li> </ul>	No. of Poles	Catalog Number	Type of Operation	28VDC			115VAC 60 or 400Hz		
					Resistive Load	Inductive Load	Lamp Load	Resistive Load	Inductive Load	Lamp Load
		1	8554	Maintained	20	15	5	15	10	3
				Momentary	15	10	4	11	7	2
2	8555	Maintained	20	15	7	15	15	4		
		Momentary	18	10	5	11	8	2		
4	8556	Maintained	20	12	5	15	15	4		
		Momentary	18	10	4	11	8	2		

Note: See page C28 for UL and CSA current ratings.

## WHEN ORDERING SPECIFY . . .

- Catalog number of base switch followed by suffix letters and numbers for mounting bracket, rocker color and style as listed in selection table.

Order Example:



One Pole Snap-in Bezel Mounting

Two Pole Flush Panel Mounting

Four Pole Sub-Panel Mounting

## SELECTION TABLE

CIRCUIT WITH LEVER IN . . .			BASE CATALOG NUMBER®			SUFFIX NUMBERS & LETTERS - ADD TO BASE CATALOG NUMBER						
Up Position	Center Position	Down Position (Keyway)	Screw Terminals	Solder Terminals	Spade Terminals	MOUNTING BRACKET			ROCKER STYLE		ROCKER COLOR	
						Frame Style	Mounting Holes	Code Letter	Style	Code No.	Color	Code Letter
<b>One Pole</b>												
ON	OFF	ON	8554K1	8554K91	8554K31							
ON	NONE	OFF	K9	K99	K39							
ON	NONE	ON	K4	K94	K34							
ON	OFF	NONE	K6	K96	K36							
ON	NONE	ON*	K5	K95	K35	Sub-Panel Mounting-Clearance Holes	0.152	R				
* ON	OFF	ON*	K2	K92	K32							
NONE	OFF	ON*	K7	K97	K37							
ON	NONE	OFF*	K10	K910	K310							
OFF	NONE	ON*	K11	K911	K311							
ON	OFF	ON*	K3	K93	K33	Sub-Panel Mounting-Tapped Holes	6-32 UNC-2B	W	Serrated	32	White	M
* ON	ON	NONE	K12	K912	K312							
ON	ON	NONE	K13	K913	K313							
<b>Two Pole</b>												
ON	OFF	ON	8555K1	8555K91	8555K31	Flush Panel Mounting-Clearance Holes	0.152	S			Black	V
ON	NONE	OFF	K9	K99	K39							
ON	NONE	ON	K4	K94	K34							
ON	OFF	NONE	K6	K96	K36							
ON	NONE	ON*	K5	K95	K35							
* ON	OFF	ON*	K2	K92	K32	Flush Panel Mounting-Tapped Holes	6-32 UNC-2B	T	Smooth	33	Red	T
NONE	OFF	ON*	K7	K97	K37							
ON	NONE	OFF*	K10	K910	K310							
OFF	NONE	ON*	K11	K911	K311							
ON	OFF	ON*	K3	K93	K33							
* ON	ON	NONE	K12	K912	K312							
ON	ON	NONE	K13	K913	K313	Snap-in Bezel Mounting	---	X				
ON	ON	ON	K14	K914	K314							
ON	ON	ON*	K15	K915	K315							
* ON	ON	ON*	K16	K916	K316							
ON	ON	ON	K17	K917	K317							
ON	ON	ON*	K18	K918	K318							
* ON	ON	ON*	K19	K919	K319							

\* Momentary Contact.






# ECONOSWITCH SEALED ROCKER SWITCHES

## Series - 8554, 8555, 8556

## Econoswitch Sealed Rocker Switches

### SELECTION TABLE

CIRCUIT WITH LEVER IN . . .			BASE CATALOG NUMBER <sup>Ⓞ</sup>			SUFFIX NUMBERS & LETTERS - ADD TO BASE CATALOG NUMBER						
Up Position	Center Position	Down Position (Keyway)	Screw Terminals	Solder Terminals	Spade Terminals	MOUNTING BRACKET			ROCKER STYLE		ROCKER COLOR	
						Style	Mounting Holes	Code Letter	Style	Code No.	Color	Code Letter
<b>Four Pole</b>												
ON	OFF	ON	8556K1	8556K91	8556K31	Sub-Panel						
ON	NONE	OFF	K9	K99	K39	Mounting-Clearance	0.152	R				
ON	NONE	ON	K4	K94	K34	Holes						
ON	OFF	NONE	K6	K96	K36						White	M
ON	NONE	ON*	K5	K95	K35							
* ON	OFF	ON*	K2	K92	K32	Sub-Panel						
NONE	OFF	ON*	K7	K97	K37	Mounting-Tapped Holes	6-32	W	Serrated	32		
ON	NONE	OFF*	K10	K910	K310		UNC-2B					
OFF	NONE	ON*	K11	K911	K311							
ON	OFF	ON*	K3	K93	K33	Flush Panel						
* ON	ON	NONE	K12	K912	K312	Mounting-Clearance	0.152				Black	V
ON	ON	NONE	K13	K913	K313	Holes		S				
ON	ON	ON	K15	K915	K315							
ON	ON	ON*	K16	K916	K316	Flush Panel			Smooth	33		
* ON	ON	ON*	K17	K917	K317	Mounting-Tapped Holes	6-32	UNC-2B			Red	T
						Snap-in Bezel						
						Mounting	—	X				

**\* Momentary contact.**

See pages C26-C27 and C29-C31 for circuit diagrams.

Ⓞ Incomplete Catalog Number - add suffix letters and numbers for Mounting Bracket, Rocker Style and Rocker Color - see "When Ordering Specify."

<b>STANDARD</b>
0.00 = inches
[0,0] = mm

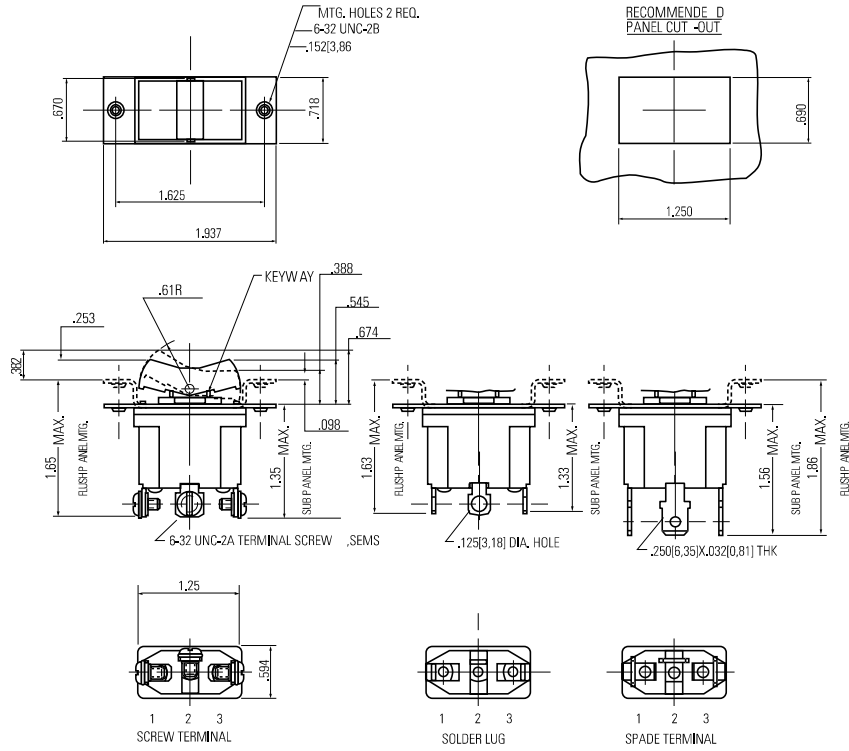
Dimensions for reference only.

# ECONOSWITCH SEALED ROCKER SWITCHES

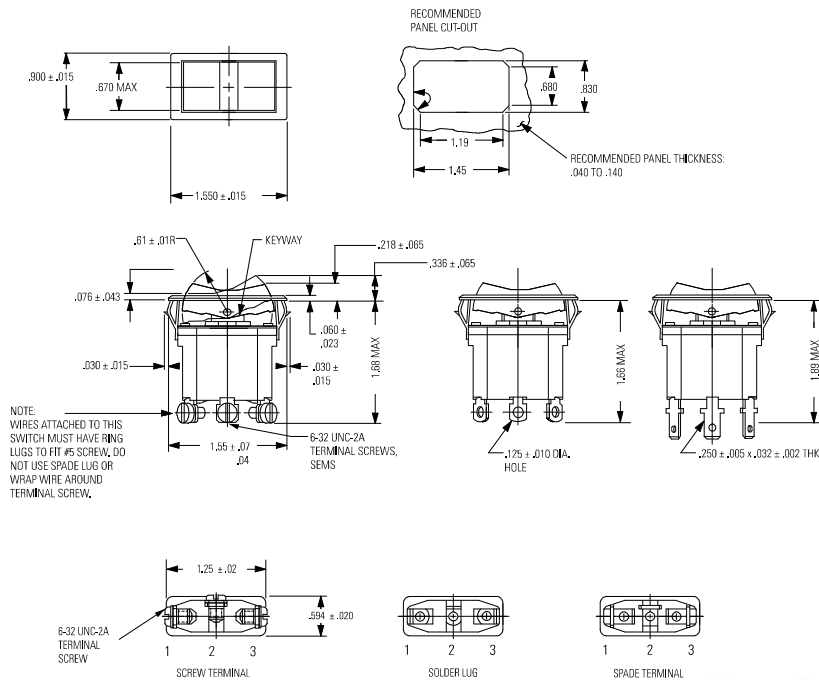
## Econoswitch Sealed Rocker Switches

Series - 8554, 8555, 8556

### MOUNTING DIMENSIONS - ONE POLE / 8554



### MOUNTING DIMENSIONS - SNAP-IN BEZEL ONE POLE / 8554

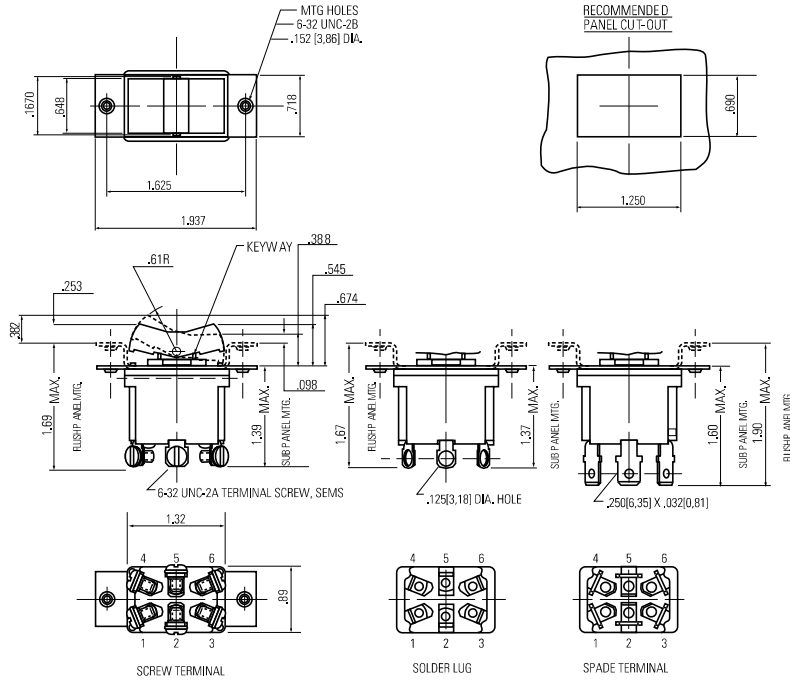


# ECONOSWITCH SEALED ROCKER SWITCHES

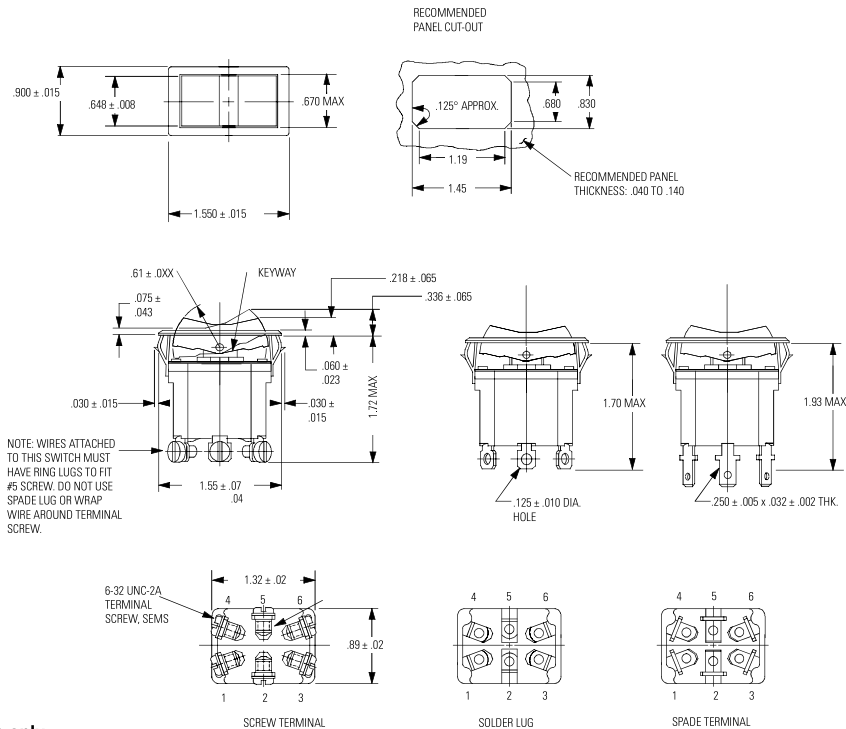
## Series - 8554, 8555, 8556

# Econoswitch Sealed Rocker Switches

### MOUNTING DIMENSIONS - TWO POLE / 8555



### MOUNTING DIMENSIONS - SNAP-IN BEZEL TWO POLE / 8555



#### STANDARD

0.00 = inches

[0,0] = mm

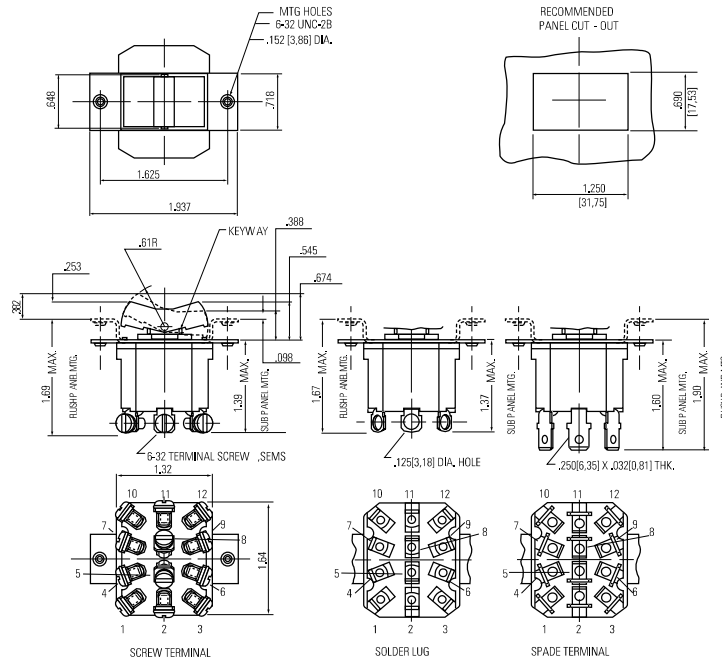
Dimensions for reference only.

# ECONOSWITCH SEALED ROCKER SWITCHES

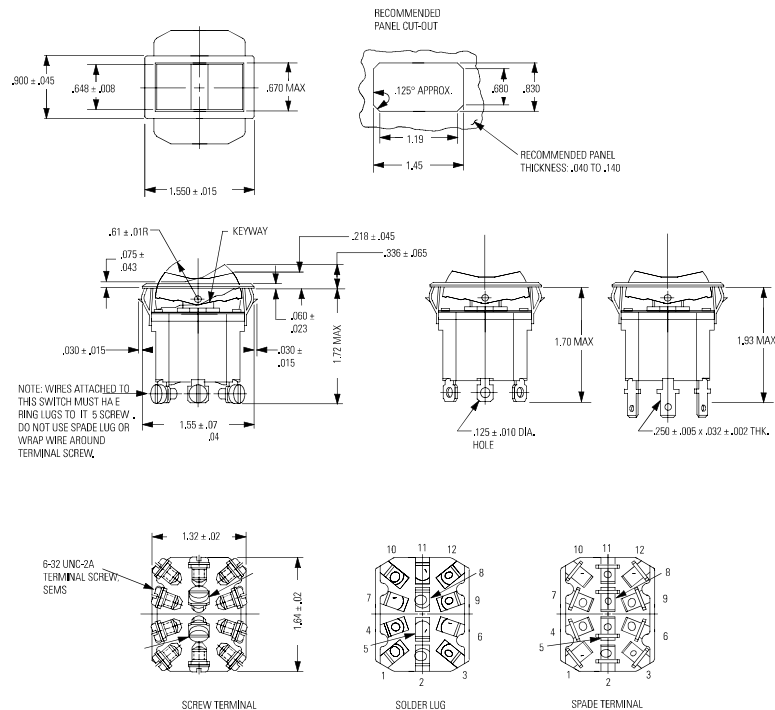
## Econoswitch Sealed Rocker Switches

Series - 8554, 8555, 8556

### MOUNTING DIMENSIONS - FOUR POLE / 8556



### MOUNTING DIMENSIONS - SNAP-IN BEZEL FOUR POLE / 8556



**STANDARD**  
0.00 = inches  
[0,0] = mm

Dimensions for reference only.

# ECONOSWITCH SEALED ROCKER SWITCHES

## Series - 8554, 8555, 8556

## Econoswitch Sealed Rocker Switches

### OPTIONS/ACCESSORIES

- Special color rockers
- Hot stamped lettering on rockers - smooth rockers only
- Special plated bezels
- Special marking on switches
- Optional Actuator
- Gold plated contacts