

INDUSTRIAL - ENVIRONMENTALLY SEALED SWITCHES







Series - 8530, 8531, 8532

Econoswitch Sealed Toggle Switches

FEATURES		SPECIFICATIONS		CURRENT RATINGS						
<ul style="list-style-type: none"> Environmentally sealed 1, 2 and 4 pole Circuitry One hole mounting for easy installation Multi-circuits 2 & 3 position with maintained and momentary action Three types of termination offered as standard 	<ul style="list-style-type: none"> Watertight seal per MIL-STD-108E and designed to meet IP68 UL recognized and CSA certified Three standard types of terminals: Screw 6-32 UNC-2A Solder lug .125 [3,17] dia. hole Spade .250 [6,35] x .032 [0,81] thick Life: 50,000 operations at rated load. 100,000 operations mechanical life. Temperature Range: -50°F to +150°F (-46°C to + 66°C) 	No. of Poles	Catalog Number	Type of Operation	28VDC			115VAC 60 or 400Hz		
					Lamp Load	Resistive Load	Inductive Load	Lamp Load	Resistive Load	Inductive Load
		1	8530	Maintained	5	20	15	3	15	10
				Momentary	4	15	10	2	11	7
		2	8531	Maintained	7	20	15	4	15	15
				Momentary	5	18	10	2	11	8
		4	8532	Maintained	5	20	12	4	15	15
				Momentary	4	18	10	2	11	8

For the UL/CSA ratings, see page A70.

STANDARD LEVER SELECTION TABLE

		CIRCUIT WITH LEVER IN . . .			CATALOG NUMBER		
		Up Position	Center Position	Down Position (Keyway)	Screw Terminals	Solder Lug Terminals	Spade Terminals
							
8530		ONE POLE					
		ON	OFF	ON	8530K1	8530K91	8530K31
		ON	NONE	OFF	K9	K99	K39
		ON	NONE	ON	K4	K94	K34
		ON	OFF	NONE	K6	K96	K36
		ON	NONE	ON*	8530K5	8530K95	8530K35
		ON*	OFF	ON*	K2	K92	K32
		NONE	OFF	ON*	K7	K97	K37
		ON	NONE	OFF*	K10	K910	K310
		OFF	NONE	ON*	K11	K911	K311
		ON	OFF	ON*	8530K3	8530K93	8530K33
		ON*	ON	NONE	K12	K912	K312
ON	ON	NONE	K13	K913	K313		
ON	ON	ON	K14	K914	K314		
ON	ON	ON*	K15	K915	K315		
ON*	ON	ON*	8531K16	8531K916	8531K316		
ON	ON	ON	K17	K917	K317		
ON	ON	ON*	K18	K918	K318		
ON*	ON	ON*	K19		K319		
					K919		
8531		TWO POLE					
		ON	OFF	ON	8531K1	8531K91	8531K31
		ON	NONE	OFF	K9	K99	K39
		ON	NONE	ON	K4	K94	K34
		ON	OFF	NONE	K6	K96	K36
		ON	NONE	ON*	8531K5	8531K95	8531K35
		ON*	OFF	ON*	K2	K92	K32
		NONE	OFF	ON*	K7	K97	K37
		ON	NONE	OFF*	K10	K910	K310
		OFF	NONE	ON*	K11	K911	K311
		ON	OFF	ON*	8531K3	8531K93	8531K33
		ON*	ON	NONE	K12	K912	K312
ON	ON	NONE	K13	K913	K313		
ON	ON	ON	K14	K914	K314		
ON	ON	ON*	K15	K915	K315		
ON*	ON	ON*	8531K16	8531K916	8531K316		
ON	ON	ON	K17	K917	K317		
ON	ON	ON*	K18	K918	K318		
ON*	ON	ON*	K19		K319		
					K919		
8532		FOUR POLE					
		ON	OFF	ON	8532K1	8532K91	8532K31
		ON	NONE	OFF	K9	K99	K39
		ON	NONE	ON	K4	K94	K34
		ON	OFF	NONE	K6	K96	K36
		ON	NONE	ON*	8532K5	8532K95	8532K35
		* ON	OFF	ON*	K2	K92	K32
		NONE	OFF	ON*	K7	K97	K37
		ON	NONE	OFF*	K10	K910	K310
		OFF	NONE	ON*	K11	K911	K311
		ON	OFF	ON*	8532K3	8532K93	8532K33
		* ON	ON	NONE	K12	K912	K312
ON	ON	NONE	K13	K913	K313		
ON	ON	ON	K15	K915	K315		
ON	ON	ON*	K16	K916	K316		
* ON	ON	ON*	K17	K917	K317		

* Momentary contact.

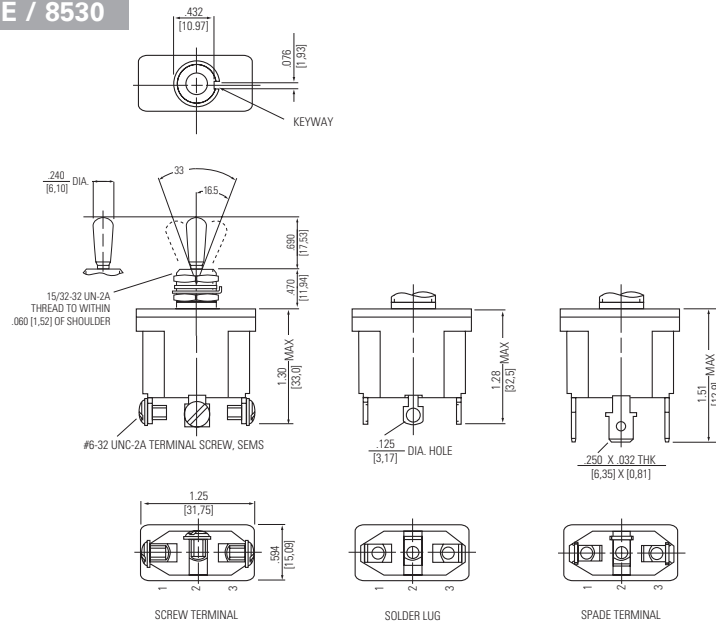
See page A71 for circuit diagrams.

ECONOSWITCH - ENVIRONMENTALLY SEALED SWITCHES

Series - 8530, 8531, 8532

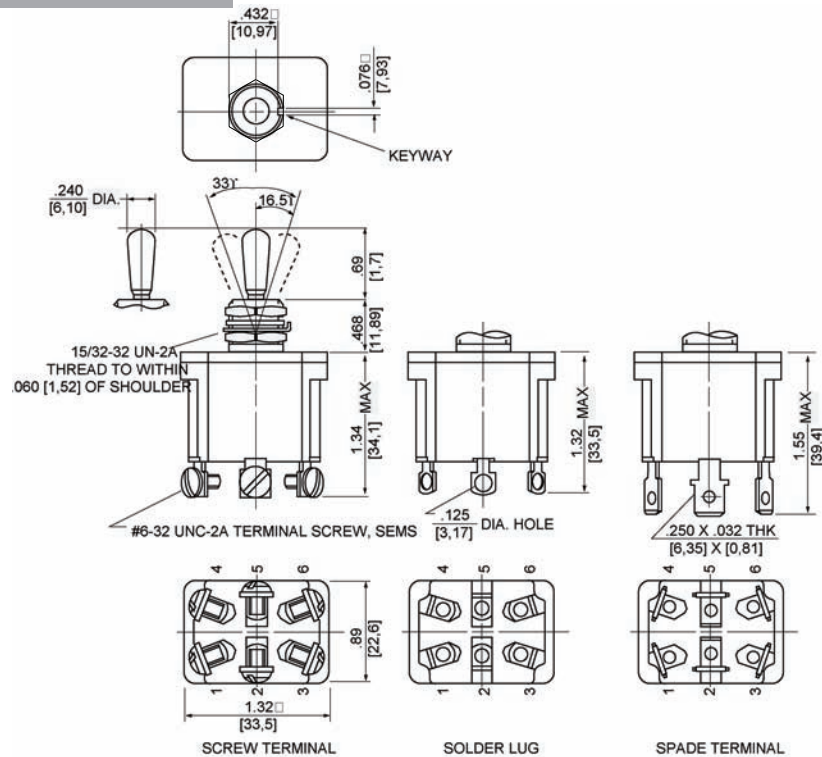
Econoswitch Sealed Toggle Switches

MOUNTING DIMENSIONS - ONE POLE / 8530



Terminal Identification

MOUNTING DIMENSIONS - TWO POLE / 8531



Terminal Identification

STANDARD

0.00 = inches

[0,0] = mm

Mounting dimensions for reference only.

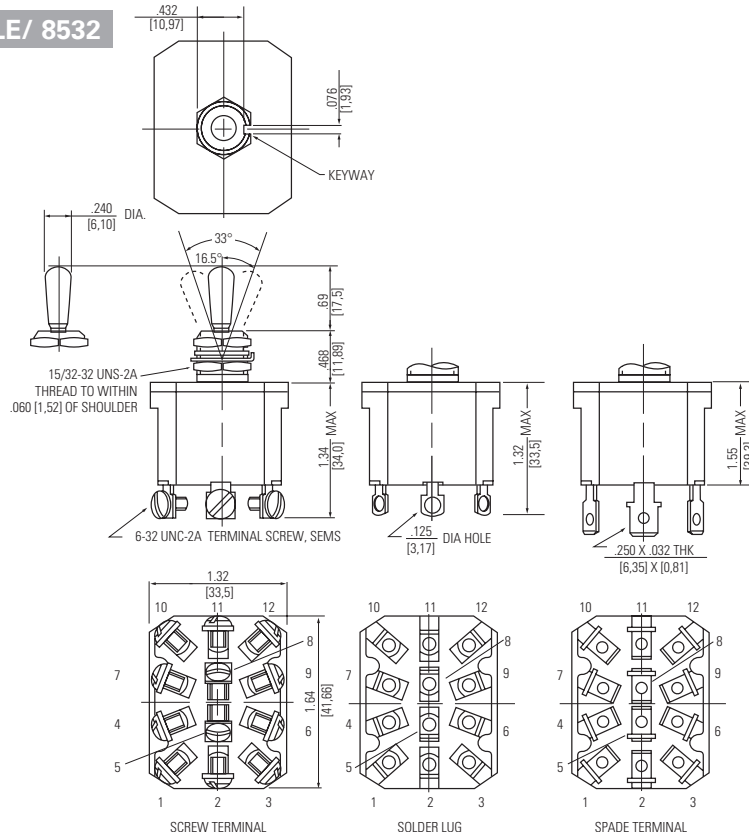
Non-functional terminals not supplied.

ECONOSWITCH - ENVIRONMENTALLY SEALED SWITCHES

Series - 8530, 8531, 8532

Econoswitch Sealed Toggle Switches

MOUNTING DIMENSIONS - FOUR POLE/ 8532



Terminal Identification

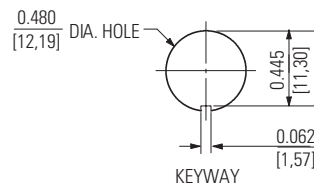
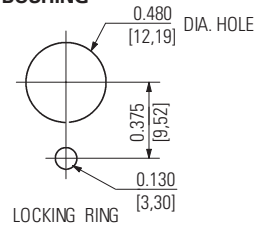
Non-functional terminals not supplied.

OPTIONS/ACCESSORIES

- Special mounting hardware
- Mounting hardware furnished assembled
- Terminal screws furnished assembled
- Special circuits
- Panel seal, Part Number 32-341
- Custom wire harnesses
- Mating connector available for two poles with spade terminal
- External jumpers available
 - bussing jumper
 - reversing jumpers

PANEL CUTOUT

15/32 DIA. BUSHING



STANDARD

0.00 = inches

[0,0] = mm

Mounting dimensions for reference only.