

MILITARY - ENVIRONMENTALLY SEALED SWITCHES

Series - 8500, 8501, 8502

MIL-DTL-3950 Toggle Switches

FEATURES		SPECIFICATIONS			CURRENT RATINGS					
<ul style="list-style-type: none"> Environmentally sealed 1, 2 and 4 pole circuitry 2 & 3 position with maintained and momentary action Molded-in terminal inserts and terminal numbers 	<ul style="list-style-type: none"> Environmentally sealed per MIL-DTL-3950 MS approved and QPL'd per MIL-DTL-3950 Thermoset molding materials meet flame retardant requirements Bushing: 15/32" - 32 thread Temperature Range: -85°F to +160°F (-65°C to +71°C) Life: 20,000 operations at rated load 40,000 operations mechanical life 	No. of Poles	Catalog Number	Type of Operation	28VDC			115VAC 60 or 400Hz		
					Lamp Load	Resistive Load	Inductive Load	Lamp Load	Resistive Load	Inductive Load
		1	8500	Maintained	5	20	15	3	15	10
				Momentary	4	15	10	2	15	7
		2	8501	Maintained	7	20	15	4	15	15
				Momentary	5	18	10	2	11	8
		4	8502	Maintained	5	20	12	4	15	15
				Momentary	4	18	10	2	11	8

STANDARD LEVER SELECTION TABLE

Minimum Rating: "Intermediate Current" per MIL-DTL-3950.



8500



8501



8502

CIRCUIT WITH LEVER IN . . .			ONE POLE		TWO POLE		FOUR POLE	
Up Position	Center Position	Down Position (Keyway)	MS Part Number	Catalog Number	MS Part Number	Catalog Number	MS Part Number	Catalog Number
			MS24523-21	8500K1	MS24524-21	8501K1	MS24525-21	8502K1
ON	OFF	ON	-22	K9	-22	K9	-22	K9
ON	NONE	OFF	-23	K4	-23	K4	-23	K4
ON	NONE	ON	-24	K6	-24	K6	-24	K6
ON	OFF	NONE	-24	K6	-24	K6	-24	K6
			MS24523-26	8500K5	MS24524-26	8501K5	MS24525-26	8502K5
ON	NONE	ON*	-27	K2	-27	K2	-27	K2
* ON	OFF	ON*	-28	K7	-28	K7	-28	K7
NONE	OFF	ON*	-29	K10	-29	K10	-29	K10
ON	NONE	OFF*	-30	K11	-30	K11	-30	K11
OFF	NONE	ON*	-30	K11	-30	K11	-30	K11
			MS24523-31	8500K3	MS24524-31	8501K3	MS24525-31	8502K3
ON	OFF	ON*	-32	K12	-32	K12	-32	K12
* ON	ON	NONE	-33	K13	-33	K13	-33	K13
ON	ON	NONE	-33	K13	-33	K13	-33	K13
			—	—	MS27407-1	8501K14	MS27406-1	8502K15
ON	ON	ON	—	—	-2	K15	-2	K16
* ON	ON	ON*	—	—	-3	K16	-3	K17
ON	ON	ON	—	—	-4	K17	—	—
ON	ON	ON*	—	—	-5	K18	—	—
* ON	ON	ON*	—	—	-6	K19	—	—

* Momentary contact.

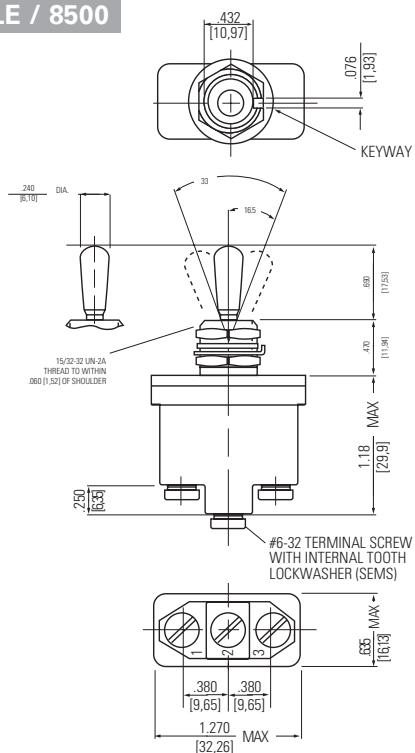
See page A71 for circuit diagrams.

MILITARY - ENVIRONMENTALLY SEALED SWITCHES

MIL-DTL-3950 Toggle Switches

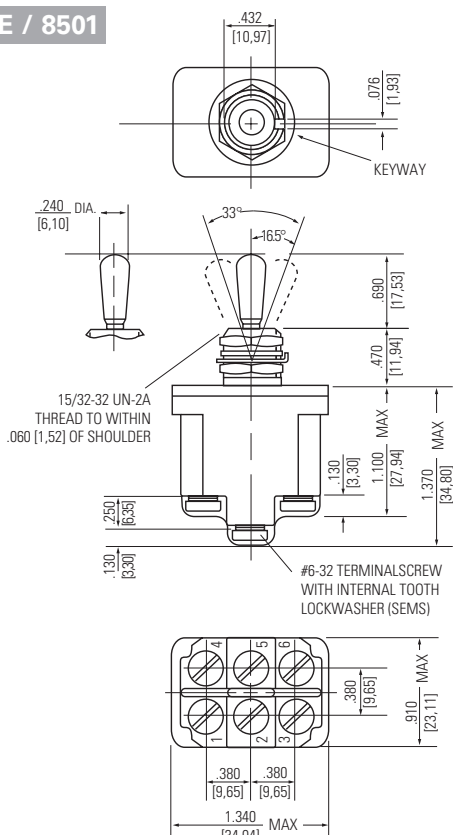
Series - 8500, 8501, 8502

MOUNTING DIMENSIONS - ONE POLE / 8500



Terminal Identification

MOUNTING DIMENSIONS - TWO POLE / 8501



Terminal Identification

STANDARD

0.00 = inches

[0,0] = mm

Mounting dimensions for reference only.

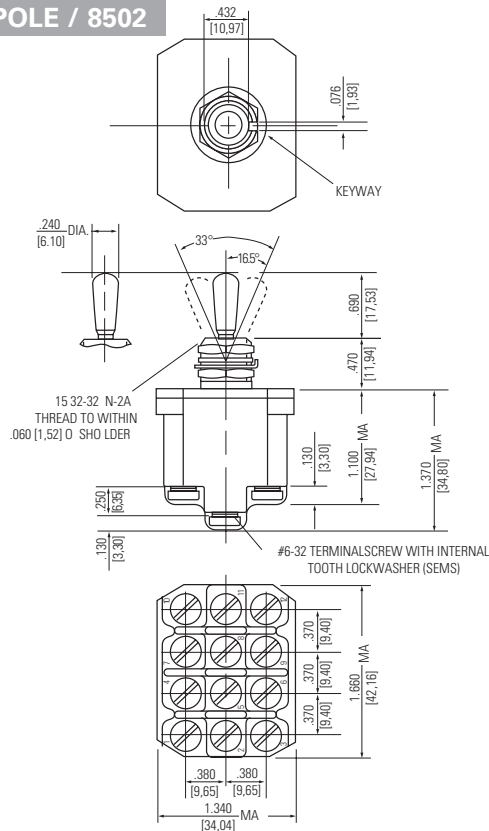
Non-functional terminals not supplied.

MILITARY - ENVIRONMENTALLY SEALED SWITCHES

Series - 8500, 8501, 8502

MIL-DTL-3950 Toggle Switches

MOUNTING DIMENSIONS - FOUR POLE / 8502



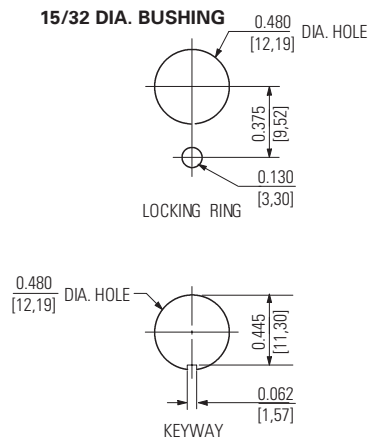
Terminal Identification

Non-functional terminals not supplied.

OPTIONS/ACCESSORIES

- Special mounting hardware
- Mounting hardware furnished assembled
- Terminal screws furnished assembled
- Special circuits
- Panel seal, part number 32-341 (See Accessories and Custom Components section)
- Special "3 Cateye" luminous lever attachment
- Lever extensions and attachable tips (See Accessories and Custom Components section)
- Custom wiring harnesses

PANEL CUTOUT



STANDARD
0.00 = inches
[0,0] = mm

Mounting dimensions for reference only.