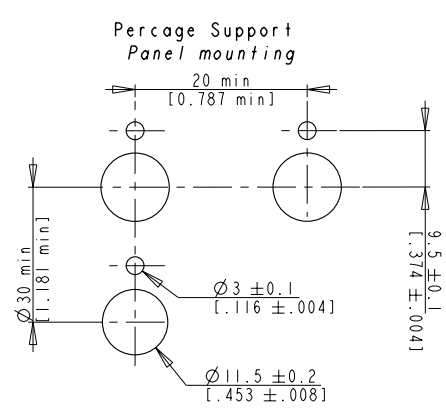


Couple de serrage/Tightening torque :

Ecrou canon/Threaded Barrel : 5,0 N.m max  
Recommande/Recommended : 4,0 +-0,25 N.m

Vis de connection/terminal screw : 2,0 N.m max  
Recommande/Recommended : 1,6 +-0,1 N.m



<b>F</b>	Updating marking : add MS26574-Cx Add ref. 4A		Modified by	M_VERDIER	19/11/2020
			Verified by	F_SALA	19/11/2020
		Authorized by			
Toler. gene. lin ± 0.2 mm		<p>This document is the property of Crouzet-Automatismes. It's contents cannot be reproduced or divulged without the company's written approval. The product data and specifications found on this document do not constitute any contractual obligation. Crouzet-Automatismes and its subsidiaries reserve the right to modify the specifications. All rights of reproduction, modification, reprinting, and translation reserved for all countries</p>			
Toler. gene. Ang ± 3 degrees					
<b>CROUZET</b>	General Raw surface Ra ✓			Scale 3/2	
2. rue du Dr ABEL BP 59. 26902. Valence CEDEX 9 France		Customer:		Customer Ref.:	
Request:		Designation/FR: <b>DISJONCTEUR THERMIQUE UNIPOLAIRE POUSSE TIRE MS26574</b>		PFT001:<C>;<M>	
--		Designation/GB: <b>SINGLE POLE THERMAL CIRCUIT BREAKER PUSH PULL MS26574</b>		Department <b>CT</b>	
NATO code: FA0X2		Authorized by		Index <b>F</b> Format <b>A3</b> Folio 1/2	
				<b>DATA SHEET</b>	
				<b>FT844060_001FR</b>	

Caracteristiques suivant / Features according to : AS26574 and MS26574

- Masse / Weight: 20g max
- Tension d'utilisation / Operating voltage: 28VDC - 115VAC 360-900Hz
- Temperature d'utilisation / Operational temperature limits: - 55 °C - +71 °C
- Endurance electromecanique / Electromechanical endurance: 5000cycles a vide + 2500 cycles en charge (resistif-inductif cosfi 0.7)  
5000cycles without a load+2500cycles loaded (resistive-inductive power factor 0.7)
- Vibration sinus / Sinusoidale vibration: 10 g-PK condition C suivant MIL STD-202 methode 204D  
10 g-PK condition C according to MIL STD-202 method 204D
- Vibration aléatoire / Random vibration: 9.26 Grms condition C suivant MIL STD-202 methode 214A  
9.26 Grms condition C according to MIL STD-202 method 214A
- Choc mecanique / Mechanical shock: 50 g 11msec 3 demi-sinusoidale 6 directions  
50 g 11msec 3 half-sine 6 directions
- Corrosion / Corrosion: 48 heures brouillard salin  
Salt spray 48 hours
- Pouvoir de coupure / Breaking capacity: 2000A RMS @ 115V-400Hz AC \*voir note 1  
6000A @ 28VDC \*see note 1
- Chute de tension / Voltage drop

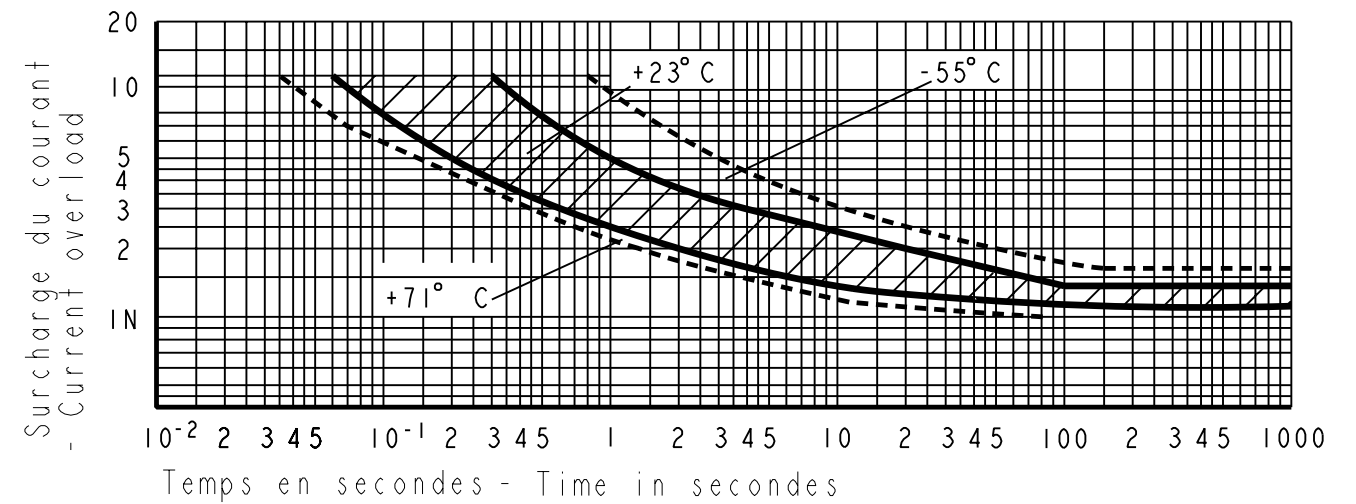
- Seuils et temps de declenchement :  
Thresholds and tripping time

Calibre rating	Temperature	Seuils declenchement non declenchement %In Trip and no trip thresholds %In		Temps de declenchement en seconde Tripping times in seconde		
		Declenchement Trip	Non declenchement Non trip	200 %In	500 %In	1000 %In
1A => 20A	- 55°C	180	135	35 max	2 max	0.4 max
1A => 20A	23 °C	150	115	4 to 20	0.2 to 1.2	0.046 to 0.8
1A => 20A	71 °C	130	90	1.5 min	0.2 min	0.04 min

Calibre Rating	Volts
1/2A	2.20V max
3/4A	2.20V max
1A	1.10V max
1 1/2A	1.10V max
2A	0.50V max
2 1/2A	0.60V max
3A	0.35V max
4A	0.35V max
5A	0.25V max
7 1/2A	0.20V max
10A	0.20V max
15A	0.15V max
20A	0.15V max



-Tripping curve



Documents associes / Associated documents	
Plan de marquage / Marking drawing	MA844000001FR
Plan d'ensemble / Assembly drawing	EN844060_001FR

- Reference Produit / Product reference

Calibre Rating	Reference produit / Product reference
0.5A	84406011
0.75A	84406013
1A	84406001
1.5A	84406014
2A	84406002
2.5A	84406012
3A	84406003
4A	84406004
5A	84406005
7.5A	84406007
10A	84406010
15A	84406015
20A	84406020

Marquage produit / Marking product :

Reference -----> 84406003-3A  
 Norme / Standard -----> MS26574-3  
 -----> MS26574-C3

Date -----> YY-WW  
 YY : Annee / Year ( 2 digits)  
 WW : Semaine / Week (2 digits)

<b>F</b>	Updating marking : add MS26574-Cx Add ref. 4A		Modified by M_VERDIER 19/11/2020
			Verified by F_SALA 19/11/2020
		Authorized by	
Toler. gene. lin ± 0.2 mm		This document is the property of Crouzet-Automatismes. It's contents cannot be reproduced or divulged without the company's written approval. The product data and specifications found on this document do not constitute any contractual obligation. Crouzet-Automatismes and its subsidiaries reserve the right to modify the specifications. All rights of reproduction, modification, reprinting, and translation reserved for all countries.	
Toler. gene. Ang ± 3 degrees			
<b>CROUZET</b>	General Raw surface Ra ✓	Scale 1/1	
2, rue du Dr ABEL BP 59, 26902, Valence CEDEX 9 France		Customer Ref.:	
Customer:		PFT001;<C>;<M>	
Designation/FR: <b>DISJONCTEUR THERMIQUE UNIPOLAIRE POUSSE TIRE MS26574</b>		Department CT	
Designation/GB: <b>SINGLE POLE THERMAL CIRCUIT BREAKER PUSH PULL MS26574</b>		Index Format Folio	
Request: Designed by F_VILLE 02/06/2015		<b>DATA SHEET</b>	
-- Verified by D_MEUX 02/06/2015		<b>FT844060_001FR</b>	
NATO code: FA0X2		Authorized by	
		<b>F A3 2/2</b>	