

1

2

3

4

A

B

C

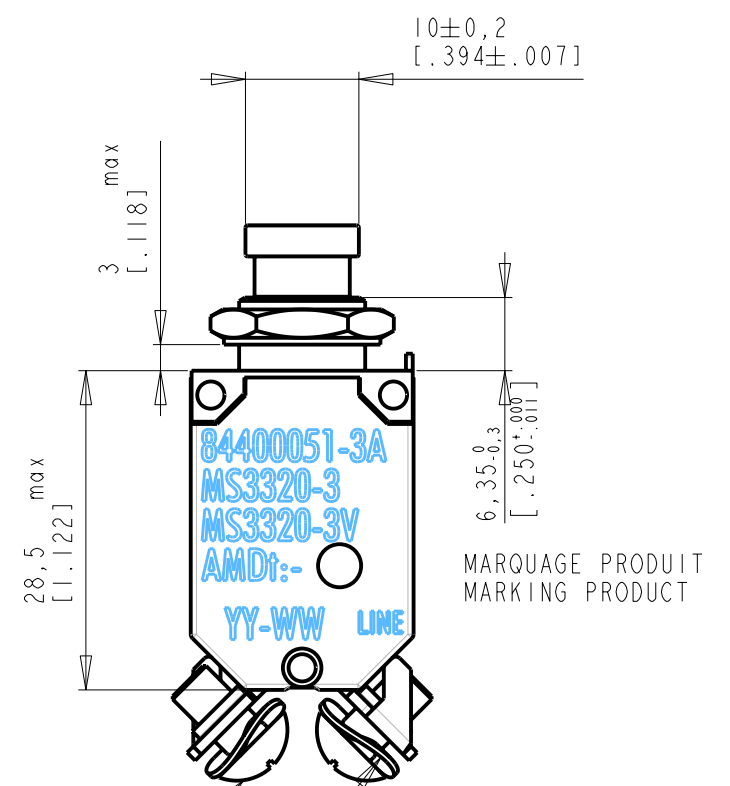
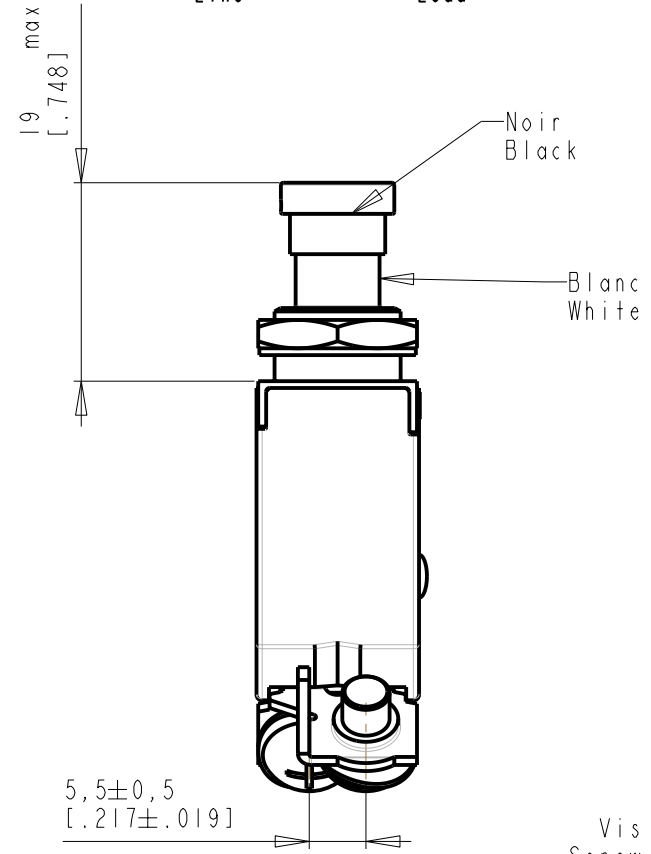
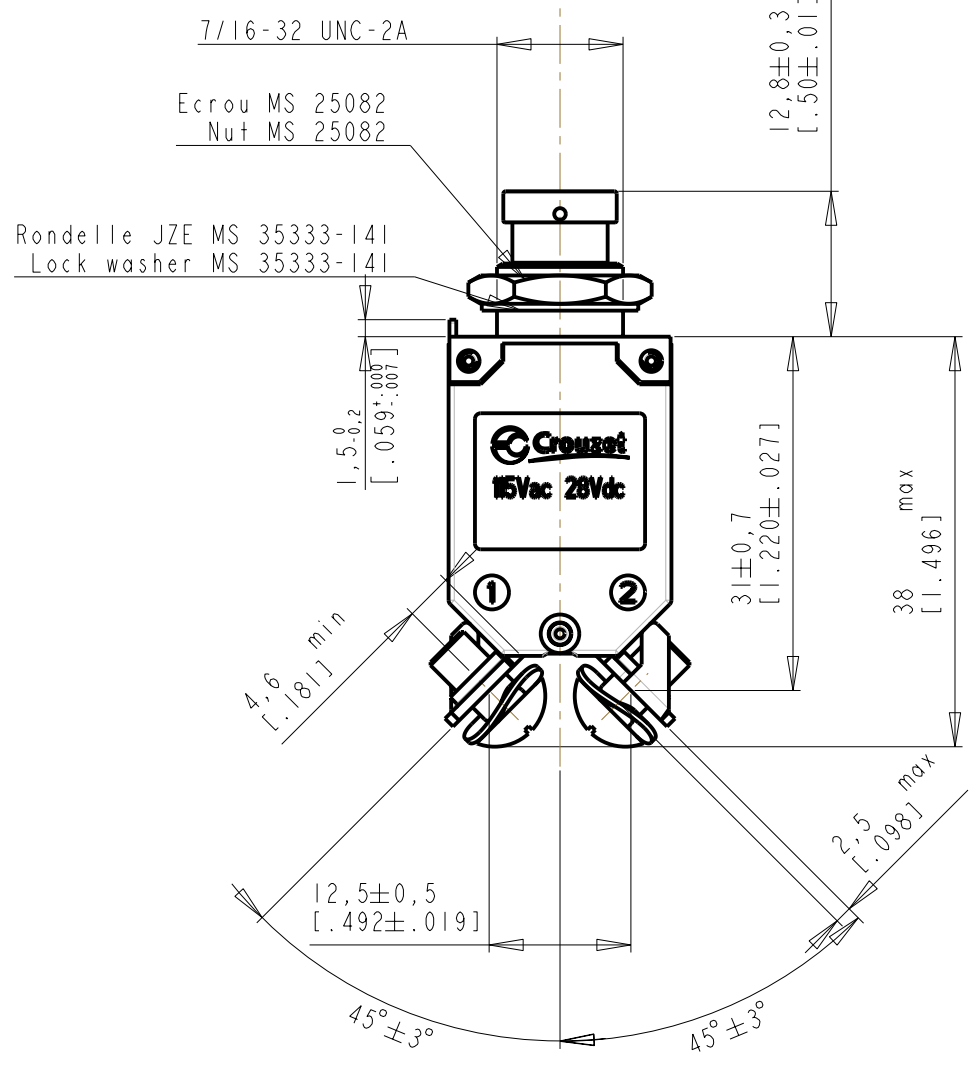
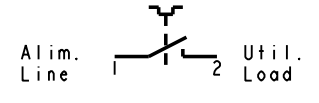
D

A

B

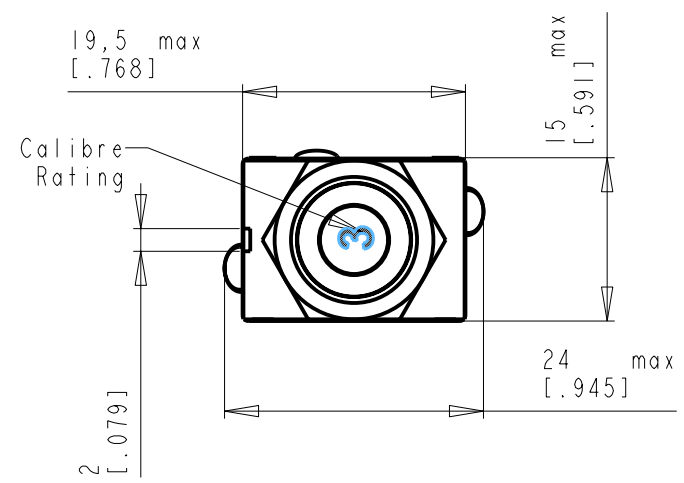
C

D



Vis MS51957-41 ou equivalent
Screw MS51957-41 or equivalent

Rondelle MS 35338-137 ou equivalent
Spring MS 35338-137 or equivalent

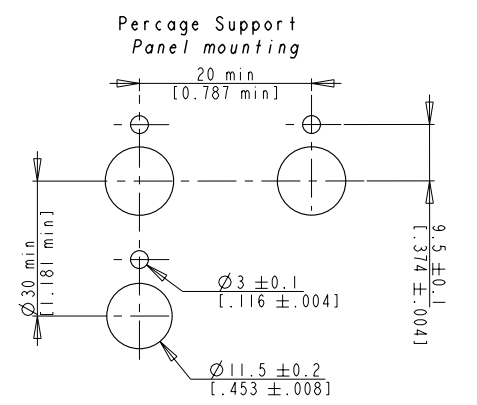


ECHELLE 1/1

Couple de serrage/Tightening torque :

Ecrou canon/Threaded Barrel :
Recommande/Recommended : 4,0 +0,25 N.m (5,0 N.m max)

Vis de connection/terminal screw :
Recommande/Recommended : 1,6 +0,1 N.m (2,0 N.m max)



C	Suppression du "C" dans désignation de la norme	Modified by	M_VERDIER	22/01/2019
	Suppression des tirets dans les références produits	Verified by	D_MEUX	22/01/2019
	Ajout n° DDM : DDM-19/01-00744	Authorized by	F_SALA	22/01/2019
Toler. gene. lin ± 0.2 mm		This document is the property of Crouzet-Automatismes. It's contents cannot be reproduced or divulged without the company's written approval. The product data and specifications found on this document do not constitute any contractual obligation. Crouzet-Automatismes and its subsidiaries reserve the right to modify the specifications. All rights of reproduction, modification, reprinting, and translation reserved for all countries.		
Toler. gene. Ang ± 3 degrees				
CROUZET	General Raw surface Ra ✓	Scale 3/2		
2, rue du Dr ABEL BP 59, 26902, Valence CEDEX 9 France	Customer:	Customer Ref.:		PFT001:<C>;<M>
	Designation/FR: DISJONCTEUR THERMIQUE UNIPOLAIRE PUSH PULL MS3320			
	Designation/GB: SINGLE POLE THERMAL CIRCUIT BREAKER PUSH PULL MS3320			Department CT
Request: DDM-19/01-00744	Design by F_VILLE 09/10/2017	DATA SHEET		
	Verif. by D_MEUX 09/10/2017			
NATO code: FA0X2	Authorized by	FT844000_001FR		
		Index C	Format A3	Folio 1/2

Caracteristiques suivant / Features according to : AS33201 and MS3320

- Masse / Weight : 20g max
- Tension d'utilisation / Operating voltage : 28VDC - 115VAC 360-900Hz
- Temperature d'utilisation / Operational temperature limits : - 55 °C - +121 °C
- Endurance electromecanique / Electromechanical endurance : 5000 cycles a vide + 2500 cycles en charge (resistif-inductif cosfi 0.7)
5000 without a load + 2500 cycles loaded (resistive-inductive power factor 0.7)
- Vibration sinus / Sinusoidale vibration : 10 g-PK condition A suivant MIL STD-202 methode 204D
10 g-PK condition A according to MIL STD-202 method 204D
- Vibration aleatoire / Random vibration : 9.26 Grms condition C suivant MIL STD-202 methode 214A
9.26 Grms condition C according to MIL STD-202 method 214A
- Choc mecanique / Mechanical shock : 50 g 11msec 3 demi-sinusoidale 6 directions
50 g 11msec 3 half-sine 6 directions
- Corrosion / Corrosion : 48 heures brouillard salin
Salt spray 48 hours
- Pouvoir de coupure / Breaking capacity : 2000A RMS @ 115V-400Hz *voir note 1
6000A @ 28VDC *see note 1
- Chute de tension / Voltage drop

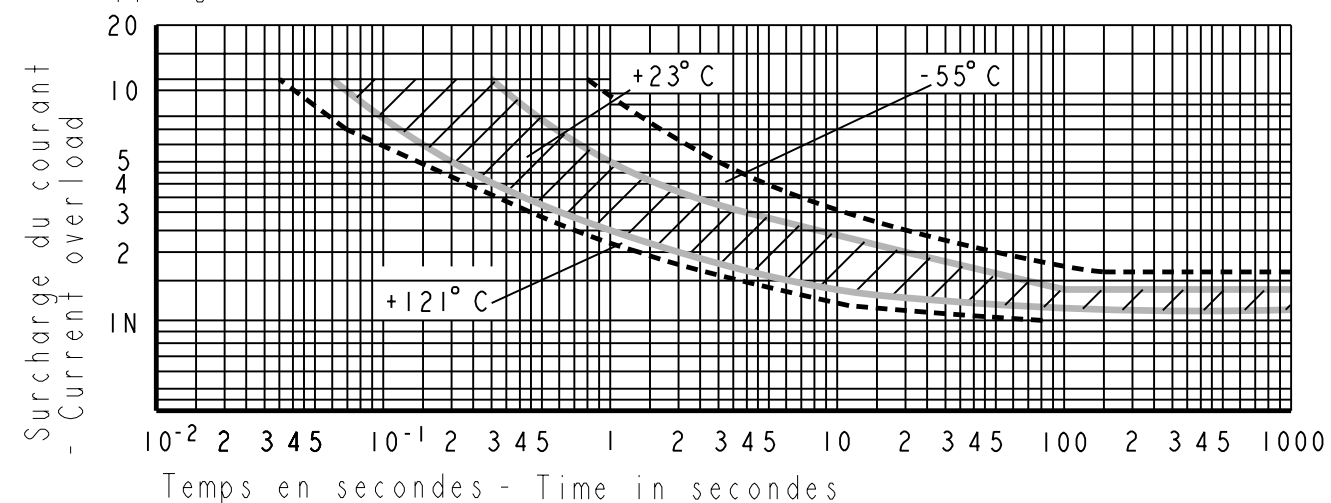
- Seuils et temps de declenchement :
Thresholds and tripping time

Calibre rating	Temperature	Seuils declenchement non declenchement %In Trip and no trip thresholds %In		Temps de declenchement en seconde Tripping times in seconde		
		Declenchement Trip	Non declenchement Non trip	200 %In	500 %In	1000 %In
IA => 30A	- 55°C	160	115	35 max	2 max	0.4 max
IA => 30A	23 °C	138	115	1.5-40	0.15-3	0.035-0.8
IA => 25A	121 °C	138	100	1.5 min	0.2 min	0.04 min
30A	90°C	140	90	2 min	0.2 min	0.05 min

Calibre Rating	Volts
1A	1.10V max
2A	0.5V max
2 1/2A	0.6V max
3A	0.35V max
4A	0.35V max
5A	0.25V max
7 1/2A	0.20V max
10A	0.20V max
15A	0.15V max
20A	0.15V max
25A	0.15V max
30A	0.15V max



-Tripping curve



Documents associes / Associated documents	
Plan de marquage / Marking drawing	MA844000_004FR
Plan d'ensemble / Assembly drawing	EN844000FR

- Reference Produit / Product reference

Calibre Rating	Reference produit / Product reference
1A	84400048
2A	84400049
2.5A	84400050
3A	84400051
4A	84400061
5A	84400052
7.5A	84400053
10A	84400054
15A	84400055
20A	84400056
25A	84400057
30A	84400058

Marquage produit / Marking product :

- Reference -----> 84400051-3A
- Norme / Standard -----> MS3320-3 (sauf 25A et 30A)
- MS3320-3V (sauf 25A et 30A)
- Amendement / Amendment -----> AMDt:A
- Date -----> YY-WW
- YY : Annee / Year (2 digits)
- WW : Semaine / Week (2 digits)

* Note 1 :
Pour le calibre 30A, lors du test a 2000A et 6000A, l'ouverture permanente du disjoncteur (sans eclatement, de flammes ou fumees epaisses) est autorisee.
For rating 30A, during the test at 2000A and 6000A, the permanent opening of the circuit breaker (without bursting, flames or thick smokes) is allowed

C	Suppression du "C" dans designation de la norme Suppression des tirets dans les references produits Ajout n° DDM : DDM-19/01-00744	Modified by M_VERDIER 22/01/2019	Verified by D_MEUX 22/01/2019	Authorized by F_SALA 22/01/2019
	Toler. gene. Lin ± 0.2 mm Toler. gene. Ang ± 3 degrees		This document is the property of Crouzet-Automatismes. It's contents cannot be reproduced or divulged without the company's written approval. The product data and specifications found on this document do not constitute any contractual obligation. Crouzet-Automatismes and its subsidiaries reserve the right to modify the specifications. All rights of reproduction, modification, reprinting, and translation reserved for all countries.	
CROUZET General Raw surface Ra ✓		Scale 1/1		
2, rue du Dr ABEL BP 59, 26902, Valence CEDEX 9 France		Customer: Designation/FR: DISJONCTEUR THERMIQUE UNIPOLAIRE PUSH PULL MS3320 Designation/GB: SINGLE POLE THERMAL CIRCUIT BREAKER PUSH PULL MS3320		Customer Ref.: PFT001;<C>;<M>
Request: DDM-19/01-00744		Designed by F_VILLE 09/10/2017 Verified by D_MEUX 09/10/2017		Department CT Index Format Folio C A3 2/2
NATO code: FAOX2		Authorized by <div style="text-align: center; font-size: 2em; font-weight: bold;">FT844000_001FR</div>		