

1

2

3

4

A

B

C

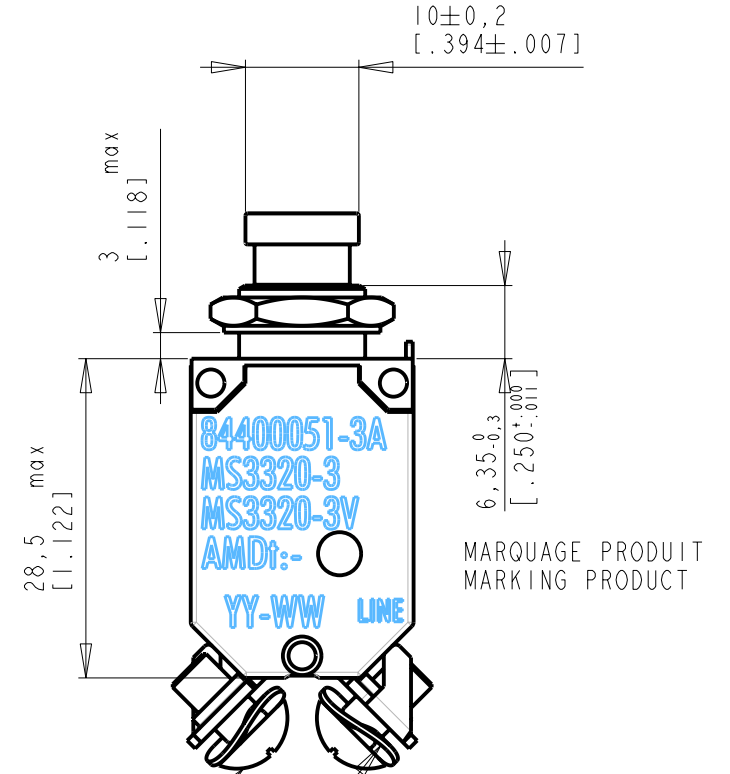
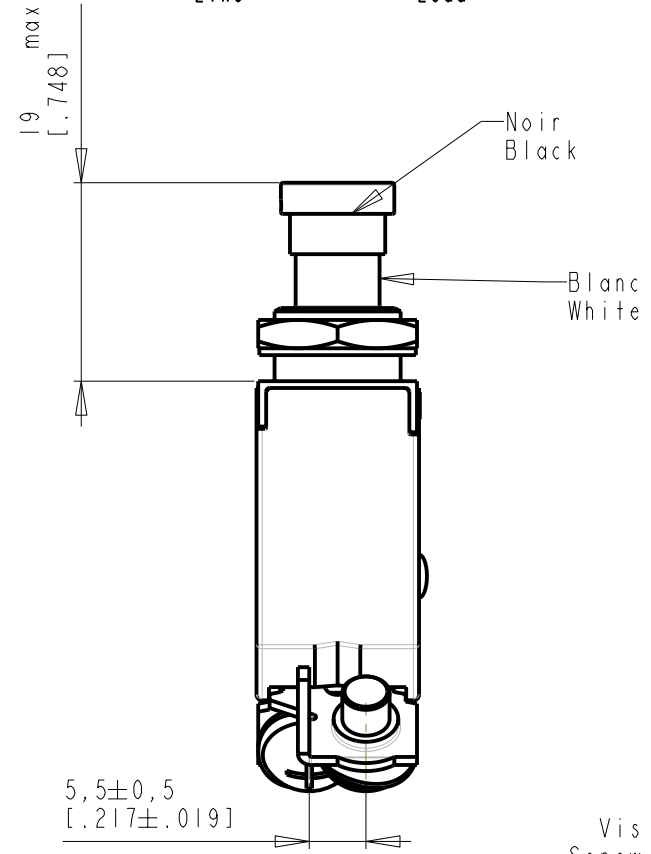
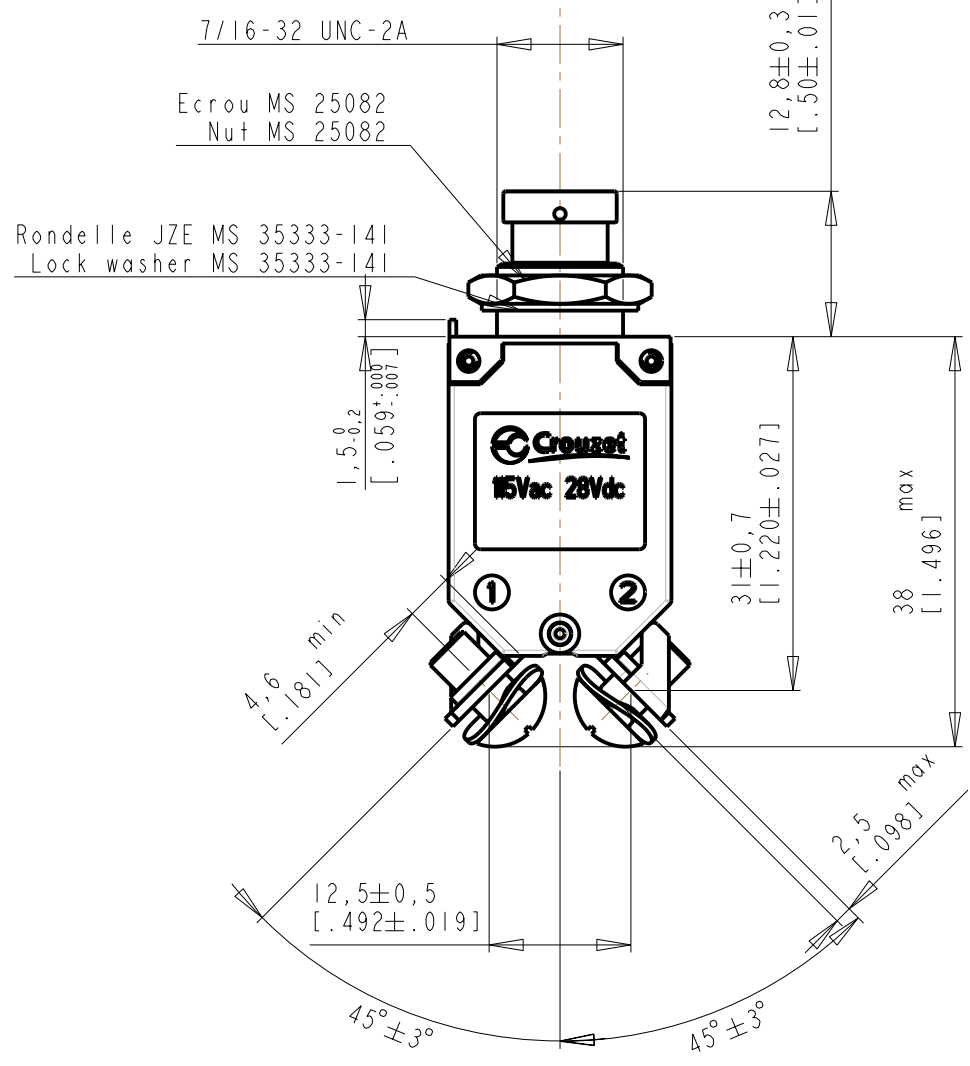
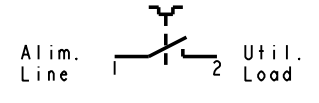
D

A

B

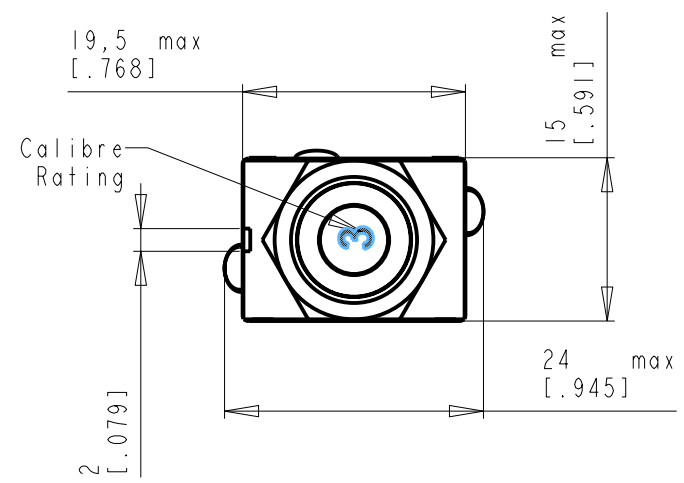
C

D



Vis MS51957-41 ou equivalent
Screw MS51957-41 or equivalent

Rondelle MS 35338-137 ou equivalent
Spring MS 35338-137 or equivalent

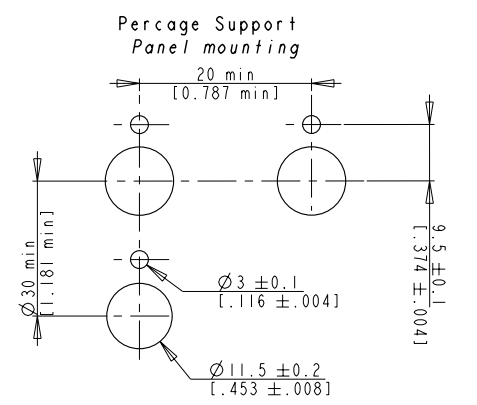


ECHELLE 1/1

Couple de serrage/Tightening torque :

Ecrou canon/Threaded Barrel :
Recommande/Recommended : 4,0 +0,25 N.m (5,0 N.m max)

Vis de connection/terminal screw :
Recommande/Recommended : 1,6 +0,1 N.m (2,0 N.m max)



C	Suppression du "C" dans désignation de la norme Suppression des tirets dans les références produits Ajout n° DDM : DDM-19/01-00744	Modified by M_VERDIER 22/01/2019
		Verified by D_MEUX 22/01/2019
		Authorized by F_SALA 22/01/2019
Toler. gene. lin ± 0.2 mm		This document is the property of Crouzet-Automatismes. It's contents cannot be reproduced or divulged without the company's written approval. The product data and specifications found on this document do not constitute any contractual obligation. Crouzet-Automatismes and its subsidiaries reserve the right to modify the specifications. All rights of reproduction, modification, reprinting, and translation reserved for all countries
Toler. gene. Ang ± 3 degrees		
CROUZET	General Raw surface Ra ✓	Scale 3/2
2, rue du Dr ABEL BP 59, 26902, Valence CEDEX 9 France	Customer: Designation/FR: DISJONCTEUR THERMIQUE UNIPOLAIRE PUSH PULL MS3320 Designation/GB: SINGLE POLE THERMAL CIRCUIT BREAKER PUSH PULL MS3320	Customer Ref.: PFT001:<C>;<M>
Request: DDM-19/01-00744	Design by F_VILLE 09/10/2017 Verif. by D_MEUX 09/10/2017	Department CT
NATO code: FA0X2	Authorized by	Index C Format A3 Folio 1/2
DATA SHEET		
FT844000_001FR		

Caracteristiques suivant / Features according to : AS33201 and MS3320

- Masse / Weight: 20g max
- Tension d'utilisation / Operating voltage: 28VDC - 115VAC 360-900Hz
- Temperature d'utilisation / Operational temperature limits: - 55 °C - +121 °C
- Endurance electromecanique / Electromechanical endurance: 5000 cycles a vide + 2500 cycles en charge (resistif-inductif cosfi 0.7) / 5000 without a load + 2500 cycles loaded (resistive-inductive power factor 0.7)
- Vibration sinus / Sinusoidale vibration: 10 g-PK condition A suivant MIL STD-202 methode 204D / 10 g-PK condition A according to MIL STD-202 method 204D
- Vibration aleatoire / Random vibration: 9.26 Grms condition C suivant MIL STD-202 methode 214A / 9.26 Grms condition C according to MIL STD-202 method 214A
- Choc mecanique / Mechanical shock: 50 g 11msec 3 demi-sinusoidale 6 directions / 50 g 11msec 3 half-sine 6 directions
- Corrosion / Corrosion: 48 heures brouillard salin / Salt spray 48 hours
- Pouvoir de coupure / Breaking capacity: 2000A RMS @ 115V-400Hz *voir note 1 / 6000A @ 28VDC *see note 1
- Chute de tension / Voltage drop

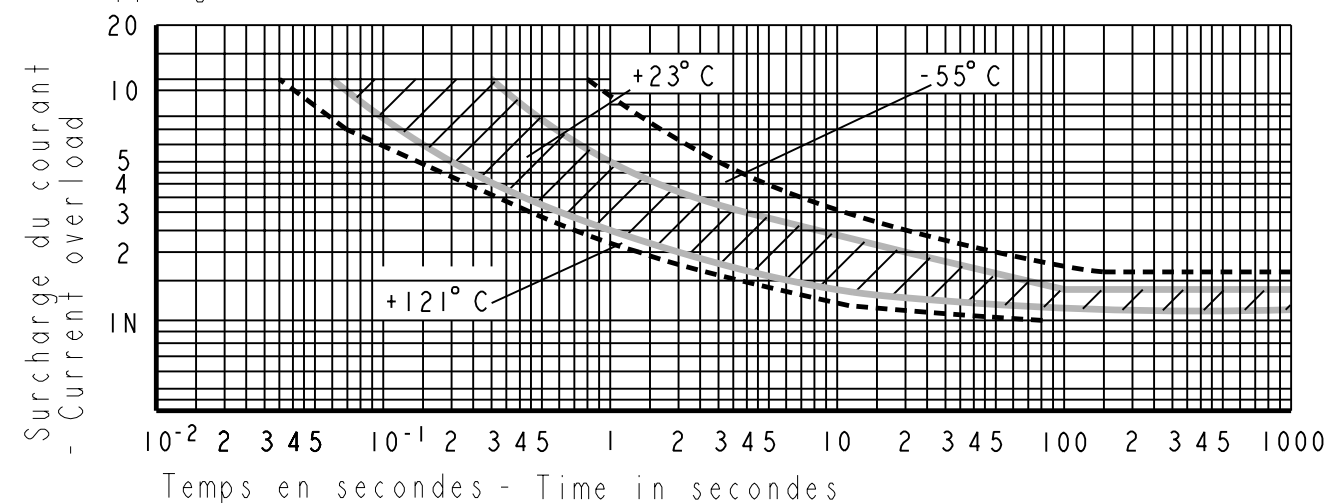
- Seuils et temps de declenchement : / Thresholds and tripping time

Calibre rating	Temperature	Seuils declenchement non declenchement %In / Trip and no trip thresholds %In		Temps de declenchement en seconde / Tripping times in seconde		
		Declenchement Trip	Non declenchement Non trip	200 %In	500 %In	1000 %In
IA => 30A	- 55°C	160	115	35 max	2 max	0.4 max
IA => 30A	23 °C	138	115	1.5-40	0.15-3	0.035-0.8
IA => 25A	121 °C	138	100	1.5 min	0.2 min	0.04 min
30A	90°C	140	90	2 min	0.2 min	0.05 min

Calibre Rating	Volts
1A	1.10V max
2A	0.5V max
2 1/2A	0.6V max
3A	0.35V max
4A	0.35V max
5A	0.25V max
7 1/2A	0.20V max
10A	0.20V max
15A	0.15V max
20A	0.15V max
25A	0.15V max
30A	0.15V max



-Tripping curve



Documents associes / Associated documents	
Plan de marquage / Marking drawing	MA844000_004FR
Plan d'ensemble / Assembly drawing	EN844000FR

- Reference Produit / Product reference

Calibre Rating	Reference produit / Product reference
1A	84400048
2A	84400049
2.5A	84400050
3A	84400051
4A	84400061
5A	84400052
7.5A	84400053
10A	84400054
15A	84400055
20A	84400056
25A	84400057
30A	84400058

Marquage produit / Marking product :

- Reference -----> 84400051-3A
- Norme / Standard -----> MS3320-3 (sauf 25A et 30A) / MS3320-3V (sauf 25A et 30A)
- Amendement / Amendment -----> AMDt:A
- Date -----> YY-WW
- YY : Annee / Year (2 digits)
- WW : Semaine / Week (2 digits)

* Note 1 : Pour le calibre 30A, lors du test a 2000A et 6000A, l'ouverture permanente du disjoncteur (sans eclatement, de flammes ou fumees epaisses) est autorisee. / For rating 30A, during the test at 2000A and 6000A, the permanent opening of the circuit breaker (without bursting, flames or thick smokes) is allowed.

C	Suppression du "C" dans designation de la norme / Suppression des tirets dans les references produits / Ajout n° DDM : DDM-19/01-00744	Modified by M_VERDIER 22/01/2019	Verified by D_MEUX 22/01/2019	Authorized by F_SALA 22/01/2019
	Toler. gene. Lin ± 0.2 mm / Toler. gene. Ang ± 3 degrees	<p>This document is the property of Crozet-Automatismes. It's contents cannot be reproduced or divulged without the company's written approval. The product data and specifications found on this document do not constitute any contractual obligation. Crozet-Automatismes and its subsidiaries reserve the right to modify the specifications. All rights of reproduction, modification, reprinting, and translation reserved for all countries.</p>		
CROUZET General Raw surface Ra ✓	Customer:	Customer Ref.:		Scale 1/1
2, rue du Dr ABEL BP 59, 26902, Valence CEDEX 9 France	Designation/FR: DISJONCTEUR THERMIQUE UNIPOLAIRE PUSH PULL MS3320	PFT001:<C>;<M>		Department CT
	Designation/GB: SINGLE POLE THERMAL CIRCUIT BREAKER PUSH PULL MS3320	DATA SHEET		Index Format Folio
Request: DDM-19/01-00744	Designed by F_VILLE 09/10/2017 / Verified by D_MEUX 09/10/2017	FT844000_001FR		C A3 2/2
NATO code: FAOX2	Authorized by			