

1

2

3

4

A

B

C

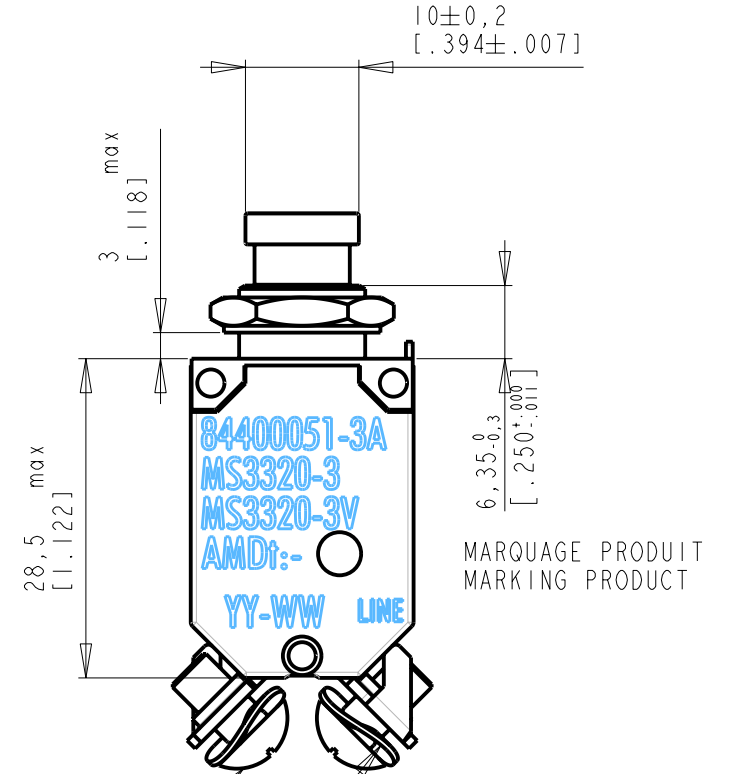
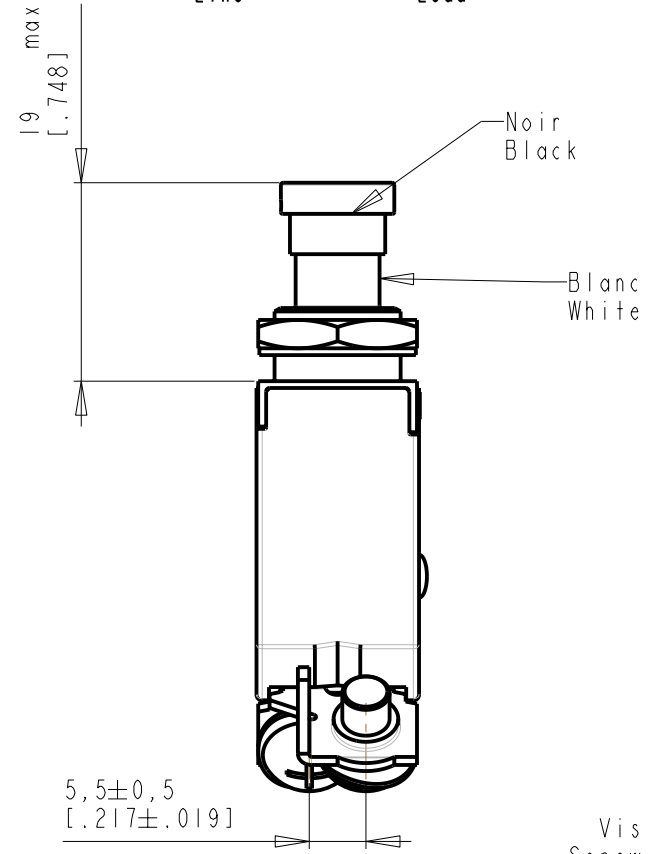
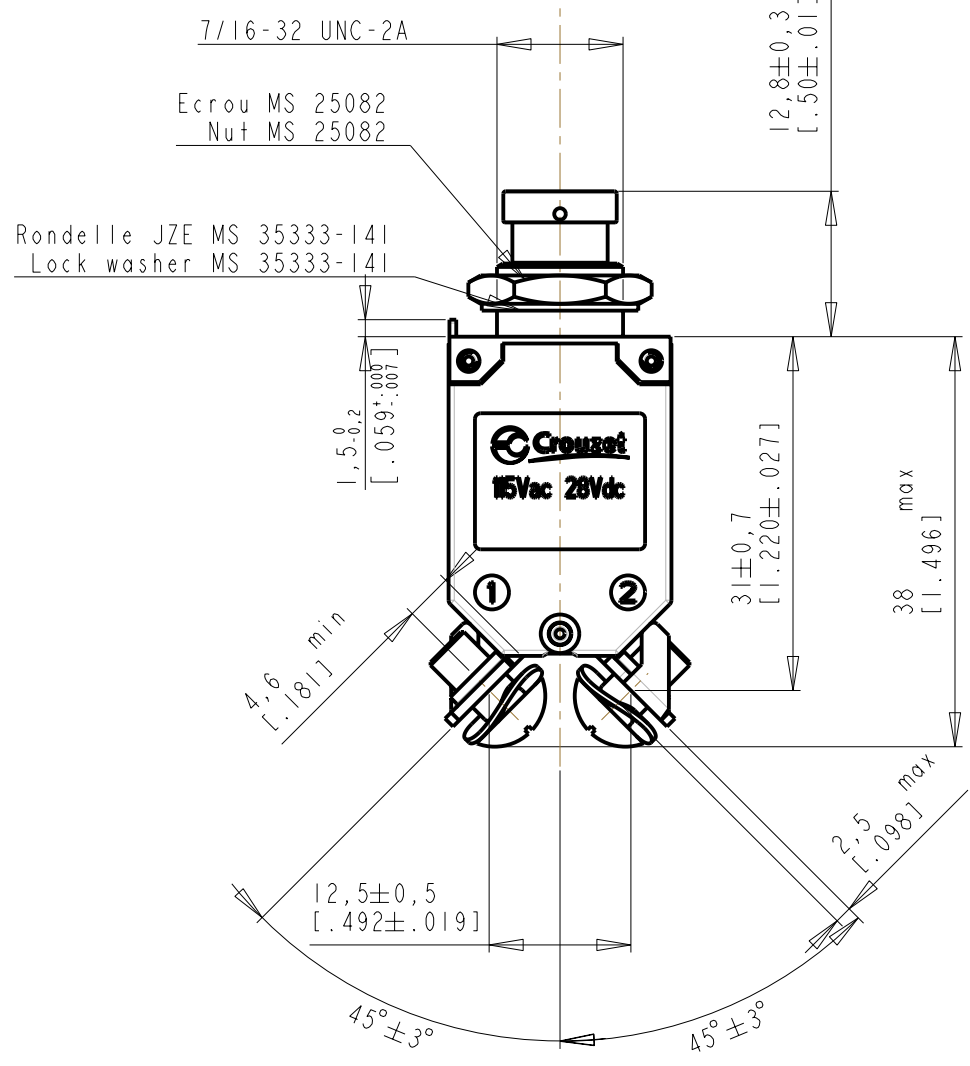
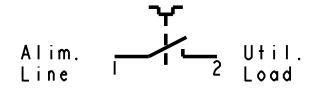
D

A

B

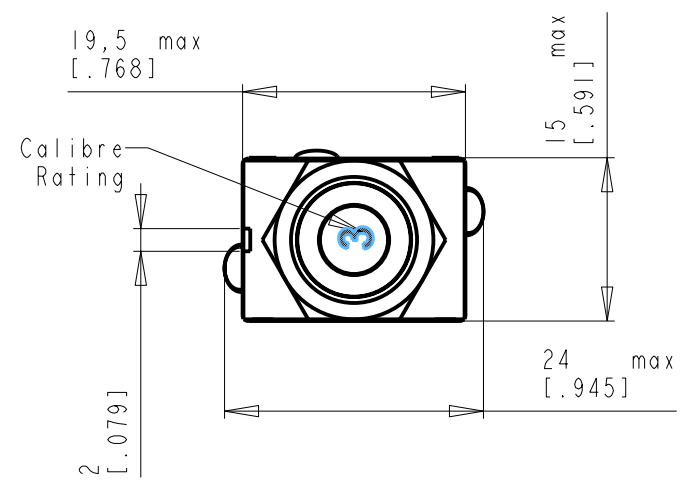
C

D



Vis MS51957-41 ou equivalent
Screw MS51957-41 or equivalent

Rondelle MS 35338-137 ou equivalent
Spring MS 35338-137 or equivalent

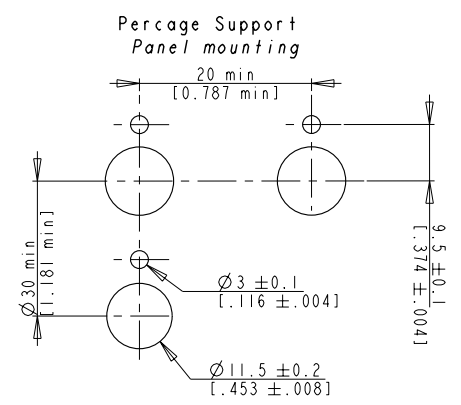


ECHELLE 1/1

Couple de serrage/Tightening torque :

Ecrou canon/Threaded Barrel :
Recommande/Recommended : 4,0 +0,25 N.m (5,0 N.m max)

Vis de connection/terminal screw :
Recommande/Recommended : 1,6 +0,1 N.m (2,0 N.m max)



| | | |
|---|--|---|
| C | Suppression du "C" dans désignation de la norme Suppression des tirets dans les références produits Ajout n° DDM : DDM-19/01-00744 | Modified by M_VERDIER 22/01/2019 |
| | | Verified by D_MEUX 22/01/2019 |
| | | Authorized by F_SALA 22/01/2019 |
| Toler. gene. Lin ± 0.2 mm | | This document is the property of Crouzet-Automatismes. It's contents cannot be reproduced or divulged without the company's written approval. The product data and specifications found on this document do not constitute any contractual obligation. Crouzet-Automatismes and its subsidiaries reserve the right to modify the specifications. All rights of reproduction, modification, reprinting, and translation reserved for all countries |
| Toler. gene. Ang ± 3 degrees | | |
| CROUZET | General Raw surface Ra ✓ | Scale 3/2 |
| 2, rue du Dr ABEL BP 59, 26902, Valence CEDEX 9 France | Customer: Designation/FR: DISJONCTEUR THERMIQUE UNIPOLAIRE PUSH PULL MS3320 Designation/GB: SINGLE POLE THERMAL CIRCUIT BREAKER PUSH PULL MS3320 | Customer Ref.: PFT001:<C>;<M> |
| Request: DDM-19/01-00744 | Design by F_VILLE 09/10/2017 Verif. by D_MEUX 09/10/2017 | Department CT |
| NATO code: FA0X2 | Authorized by | Index C Format A3 Folio 1/2 |
| DATA SHEET | | |
| FT844000_001FR | | |

Caracteristiques suivant / Features according to : AS33201 and MS3320

- Masse / Weight : 20g max
- Tension d'utilisation / Operating voltage : 28VDC - 115VAC 360-900Hz
- Temperature d'utilisation / Operational temperature limits : - 55 °C - +121 °C
- Endurance electromecanique / Electromechanical endurance : 5000 cycles a vide + 2500 cycles en charge (resistif-inductif cosfi 0.7)
5000 without a load + 2500 cycles loaded (resistive-inductive power factor 0.7)
- Vibration sinus / Sinusoidale vibration : 10 g-PK condition A suivant MIL STD-202 methode 204D
10 g-PK condition A according to MIL STD-202 method 204D
- Vibration aleatoire / Random vibration : 9.26 Grms condition C suivant MIL STD-202 methode 214A
9.26 Grms condition C according to MIL STD-202 method 214A
- Choc mecanique / Mechanical shock : 50 g 11msec 3 demi-sinusoidale 6 directions
50 g 11msec 3 half-sine 6 directions
- Corrosion / Corrosion : 48 heures brouillard salin
Salt spray 48 hours
- Pouvoir de coupure / Breaking capacity : 2000A RMS @ 115V-400Hz *voir note 1
6000A @ 28VDC *see note 1
- Chute de tension / Voltage drop

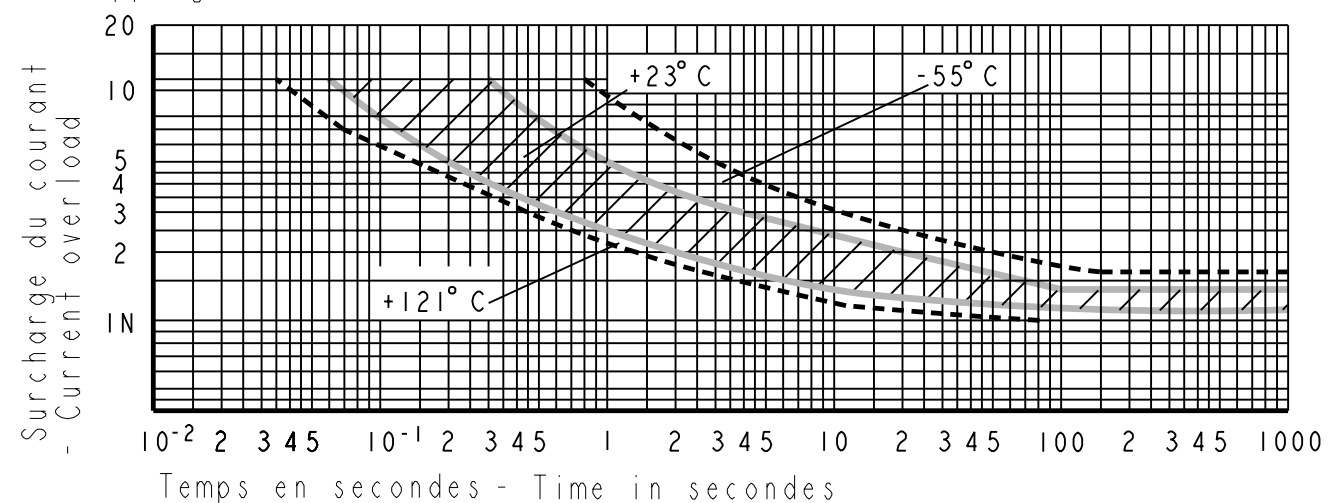
- Seuils et temps de declenchement :
Thresholds and tripping time

| Calibre rating | Temperature | Seuils declenchement non declenchement %In Trip and no trip thresholds %In | | Temps de declenchement en seconde Tripping times in seconde | | |
|----------------|-------------|---|----------------------------|--|---------|-----------|
| | | Declenchement Trip | Non declenchement Non trip | 200 %In | 500 %In | 1000 %In |
| 1A => 30A | - 55°C | 160 | 115 | 35 max | 2 max | 0.4 max |
| 1A => 30A | 23 °C | 138 | 115 | 1.5-40 | 0.15-3 | 0.035-0.8 |
| 1A => 25A | 121 °C | 138 | 100 | 1.5 min | 0.2 min | 0.04 min |
| 30A | 90°C | 140 | 90 | 2 min | 0.2 min | 0.05 min |

| Calibre Rating | Volts |
|----------------|-----------|
| 1A | 1.10V max |
| 2A | 0.5V max |
| 2 1/2A | 0.6V max |
| 3A | 0.35V max |
| 4A | 0.35V max |
| 5A | 0.25V max |
| 7 1/2A | 0.20V max |
| 10A | 0.20V max |
| 15A | 0.15V max |
| 20A | 0.15V max |
| 25A | 0.15V max |
| 30A | 0.15V max |



-Tripping curve



| Documents associes / Associated documents | |
|---|----------------|
| Plan de marquage / Marking drawing | MA844000_004FR |
| Plan d'ensemble / Assembly drawing | EN844000FR |

- Reference Produit / Product reference

| Calibre Rating | Reference produit / Product reference |
|----------------|---------------------------------------|
| 1A | 84400048 |
| 2A | 84400049 |
| 2.5A | 84400050 |
| 3A | 84400051 |
| 4A | 84400061 |
| 5A | 84400052 |
| 7.5A | 84400053 |
| 10A | 84400054 |
| 15A | 84400055 |
| 20A | 84400056 |
| 25A | 84400057 |
| 30A | 84400058 |

Marquage produit / Marking product :

- Reference -----> 84400051-3A
- Norme / Standard -----> MS3320-3 (sauf 25A et 30A)
- MS3320-3V (sauf 25A et 30A)
- Amendement / Amendment -----> AMDt:A
- Date -----> YY-WW
- YY : Annee / Year (2 digits)
- WW : Semaine / Week (2 digits)

* Note 1 : Pour le calibre 30A, lors du test a 2000A et 6000A, l'ouverture permanente du disjoncteur (sans eclatement, de flammes ou fumees epaisses) est autorisee.
For rating 30A, during the test at 2000A and 6000A, the permanent opening of the circuit breaker (without bursting, flames or thick smokes) is allowed

| | | |
|---|---|---|
| C | Suppression du "C" dans designation de la norme Suppression des tirets dans les references produits Ajout n° DDM : DDM-19/01-00744 | Modified by M_VERDIER 22/01/2019 Verified by D_MEUX 22/01/2019 Authorized by F_SALA 22/01/2019 |
| | Toler. gene. Lin ± 0.2 mm Toler. gene. Ang ± 3 degrees | This document is the property of Crouzet-Automatismes. It's contents cannot be reproduced or divulged without the company's written approval. The product data and specifications found on this document do not constitute any contractual obligation. Crouzet-Automatismes and its subsidiaries reserve the right to modify the specifications. All rights of reproduction, modification, reprinting, and translation reserved for all countries |
| CROUZET General Raw surface Ra ✓ | Customer: 2, rue du Dr ABEL BP 59, 26902, Valence CEDEX 9 France | Customer Ref.: PFT001;<C>;<M> Department CT |
| Request: DDM-19/01-00744 NATO code: FAOX2 | Designation/FR: DISJONCTEUR THERMIQUE UNIPOLAIRE PUSH PULL MS3320 Designation/GB: SINGLE POLE THERMAL CIRCUIT BREAKER PUSH PULL MS3320 Designed by F_VILLE 09/10/2017 Verified by D_MEUX 09/10/2017 Authorized by | DATA SHEET FT844000_001FR Index C Format A3 Folio 2/2 |