



Standard

**Single-Pole High Performance**

**Qualified**

To MIL-C-5809 and MS25361.

**Protection For Heavy-Duty Systems**

Protects circuits from 50 to 100 amperes.

**Heavy-Duty Construction**

Breaker features large contacts and wide terminals.

**Not Sensitive To Frequency**

May be used on either AC or DC circuits.

**Performance Rated Circuit Breaker**

The 160 series has the recognition of being the most specified heavy-duty aircraft type circuit breaker in the 50 to 100 ampere rating range.

Designed to protect heavy-duty aircraft and non-aircraft electrical systems, this trip-free breaker features separate, durable, overload and mechanical latches. In addition, the overload latch is designed for precise operation. Extra heavy contacts are spring-loaded to maintain high-contact pressure and assure long life. Contact material has high resistance to arcing and the corrosive action of moisture —thus assuring low voltage drop throughout the life of the breaker.

**PERFORMANCE DATA**

<b>Interrupting Capacity</b>	6,000A at 30V, DC; 3,500A at 120V, 400 Hz., AC
<b>Endurance</b>	At 120VAC, 400 Hz.: inductive load — 5,000 cycles; resistive load — 5,000 cycles; at 30V, DC: inductive load — 2,500 cycles; resistive load — 5,000 cycles; mechanical cycling, no load — 5,000 cycles
<b>Overload Cycling</b>	100 operations at 200% rated current and rated voltage
<b>Dielectric Strength</b>	At sea level, 25°C 1,500V, AC. At 70,000 ft., 71°C 500V, AC
<b>Insulation Resistance</b>	Not less than 100 megohms at 500V, DC
<b>Voltage Drop</b>	0.15V, maximum
<b>Vibration</b>	Meets specification MIL-STD-202, Method 204, Condition A-10G, 10-500 Hz.
<b>Shock</b>	Exceeds 30G's, 11 Millisec (half-sine pulse) MIL-STD-202, Method 213 Test J
<b>Acceleration</b>	Exceeds 10G's
<b>Weight</b>	113 grams (0.25 lbs.)

**OVERLOAD CALIBRATION DATA**

Specification Table	@ 25°C		@ +71°C		@ -40°C		Test Time Parameters
	MIN	MAX	MIN	MAX	MIN	MAX	
Must Hold	105	—	70	—	125	—	% For 1 Hour
Must Trip	—	138	—	125	—	165	% Within 1 Hour
200% Overload	15	65	—	—	—	—	Seconds
400% Overload	2	10	—	—	—	—	Seconds
600% Overload	1	4	—	—	—	—	Seconds

Trip curve available

**ORDERING INFORMATION**

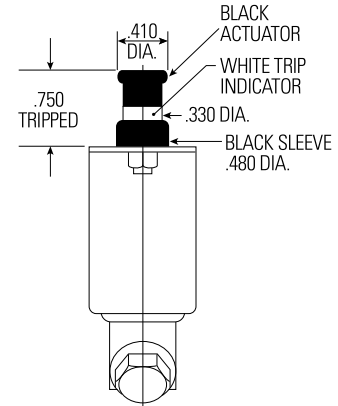
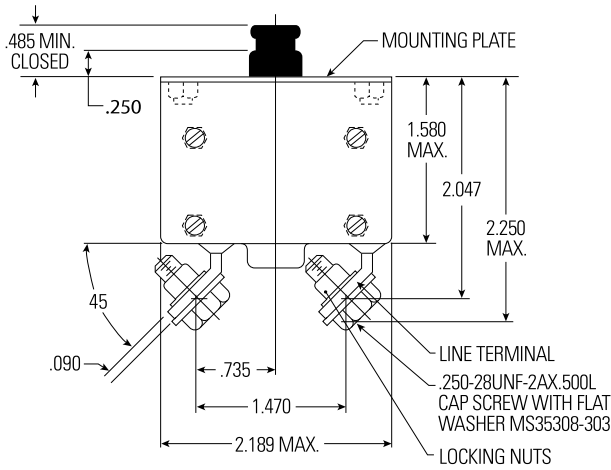
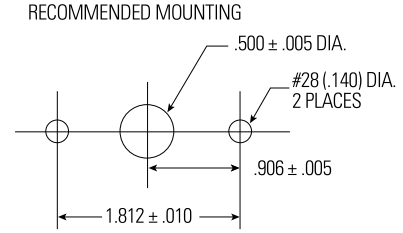
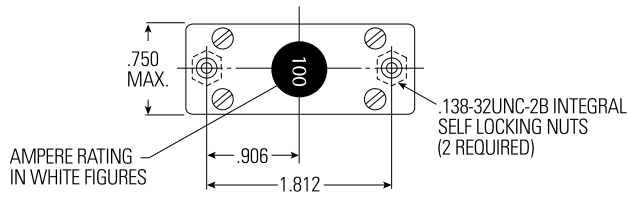
MS APPROVAL STATUS	AMPERE RATING	VOLTAGE DROP MAX. *	STANDARD		HIGH VIBRATION	
			MS P/N	SAFRAN MP P/N	MS P/N	SAFRAN MP P/N
MS Approved	50	0.15	MS25361-50	160-012-50	MS25361-50V	160-086-50
MS Approved	60	0.15	MS25361-60	160-012-60	MS25361-60V	160-086-60
MS Approved	70	0.15	MS25361-70	160-012-70	MS25361-70V	160-086-70
MS Approved	75	0.15	MS25361-75	160-012-75	MS25361-75V	160-086-75
MS Approved	80	0.15	MS25361-80	160-012-80	MS25361-80V	160-086-80
MS Approved	90	0.15	MS25361-90	160-012-90	MS25361-90V	160-086-90
MS Approved	100	0.15	MS25361-100	160-012-100	MS25361-100V	160-086-100

\* AT RATED NOMINAL CURRENT

3 Phase variants are available as a 940 Series.

For other amperage ratings and configurations, consult the Business Unit.

**DIMENSIONS**



**TRIP CURVE**

