



**Three-Pole High Performance**

**Three-Phase Protection**

Common trip mechanism trips all three phases, regardless of which phase is overloaded.

**Integral Barriers**

Terminals are separated by barriers molded into the case.

**Single-Hole Mounting**

For quick, easy installation.

**Shock And Vibration Resistant Construction**

Permits use in various types of portable and mobile airborne equipment.

**Performance Rated Circuit Breaker**

The 1536-001 is a lightweight, miniature breaker that features three bimetal sensing elements having very fast electro-dynamic response under short circuit conditions, and standard trip characteristics at lower levels of overloads.

Single hole mounting and small size facilitate easy installation. The breaker's one-piece, glass-filled case features integrally-molded barriers to separate the terminals.

**PERFORMANCE DATA**

<b>Interrupting Capacity</b>	1,000A at 205V, 400 Hz., three-phase symmetrical fault 1,000A at 120V, 400 Hz., single-phase fault
<b>Endurance</b>	At 120VAC, 400 Hz.: inductive load — 5,000 cycles; resistive load — 5,000 cycles; mechanical cycling, no load — 5,000 cycles
<b>Overload Cycling</b>	100 operations at 200% load
<b>Dielectric Strength</b>	1,500V, minimum
<b>Insulation Resistance</b>	Not less than 100 megohms at 500V, DC
<b>Voltage Drop</b>	Varies with rating (see "Ordering Information")
<b>Vibration</b>	Exceeds MIL-STD-202, Method 204, Condition A
<b>Shock</b>	Exceeds 30G's, 11 Millisec (half-sine pulse) MIL-STD-202, Method 213 Test J
<b>Acceleration</b>	Exceeds 10G's
<b>Weight</b>	181 grams (.40 lbs.)

**OVERLOAD CALIBRATION DATA**

Specification Table	@ 25°C		@ +71°C		@ -55°C		Test Time Parameters
	MIN	MAX	MIN	MAX	MIN	MAX	
Must Hold	105	—	70	—	130	—	% For 1 Hour
Must Trip	—	138 Balanced*	—	110	—	160	% Within 1 Hour
200% Overload	10.00	70.0	—	—	—	—	Seconds
400% Overload	2.00	10.0	—	—	—	—	Seconds
600% Overload	1.00	4.0	—	—	—	—	Seconds
1000% Overload	0.35	1.4	—	—	—	—	Seconds

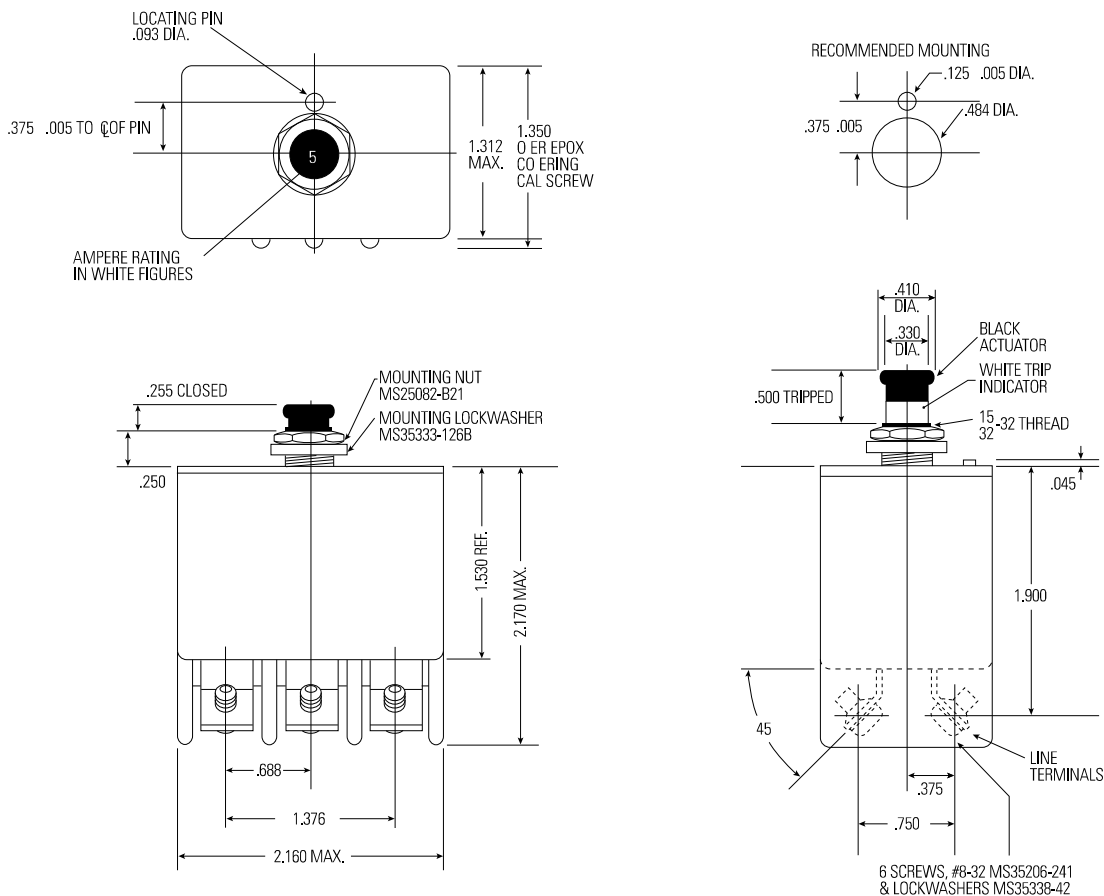
\*Unbalanced load, individual phases: 145%  
Trip curve available.

**ORDERING INFORMATION**

Ampere Rating	Voltage Drop Max.*	Part Number
5	0.350	1536-001-5
7 1/2	0.325	1536-001-705
10	0.300	1536-001-10
15	0.250	1536-001-15
20	0.200	1536-001-20
25	0.180	1536-001-25
30	1.180	1536-001-30
35	0.175	1536-001-35
40	0.175	1536-001-40
50	0.150	1536-001-50

\* At rated nominal current.  
For other amperage ratings and configurations, consult the Business Unit.

**DIMENSIONS**



**TRIP CURVE**

